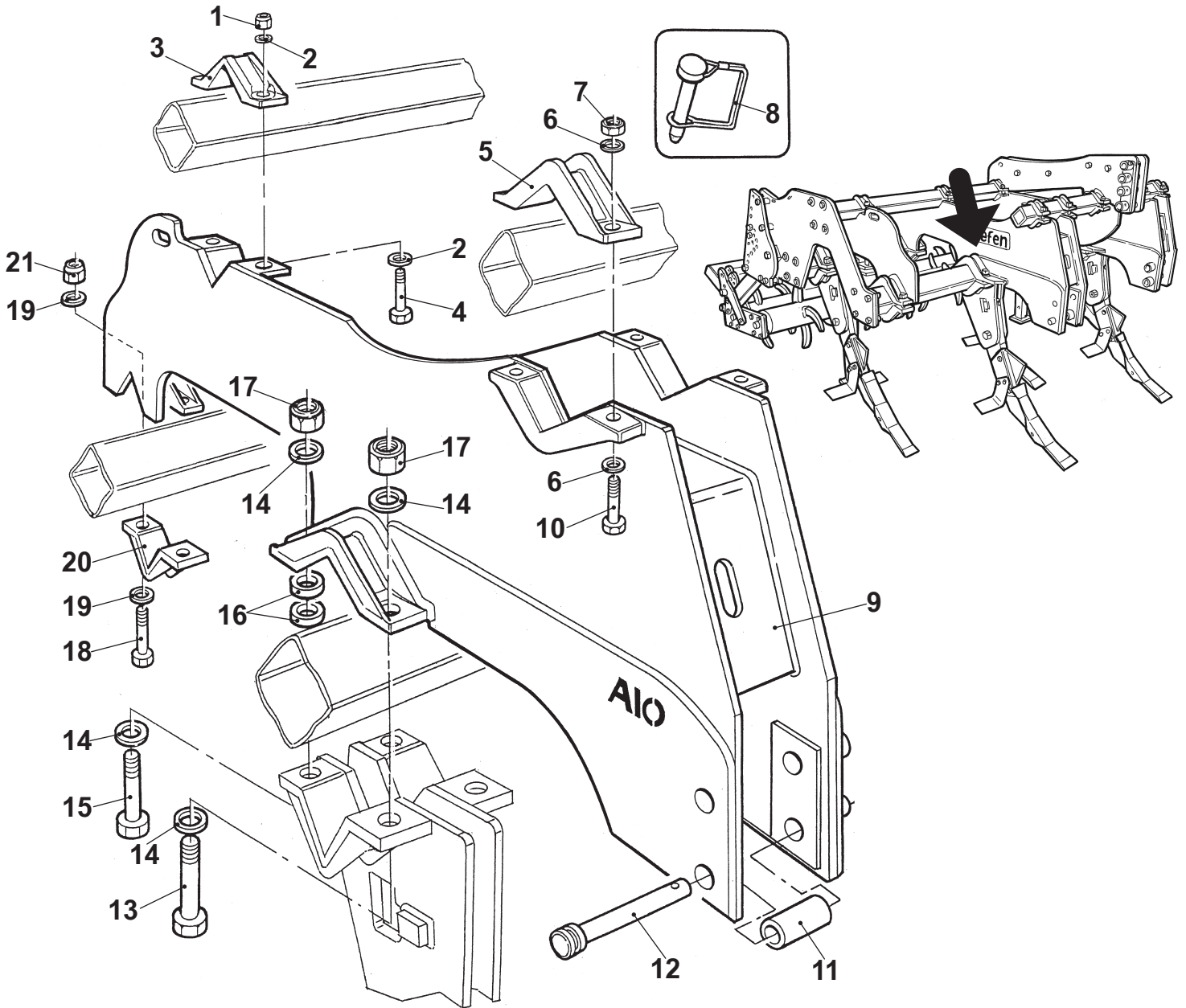


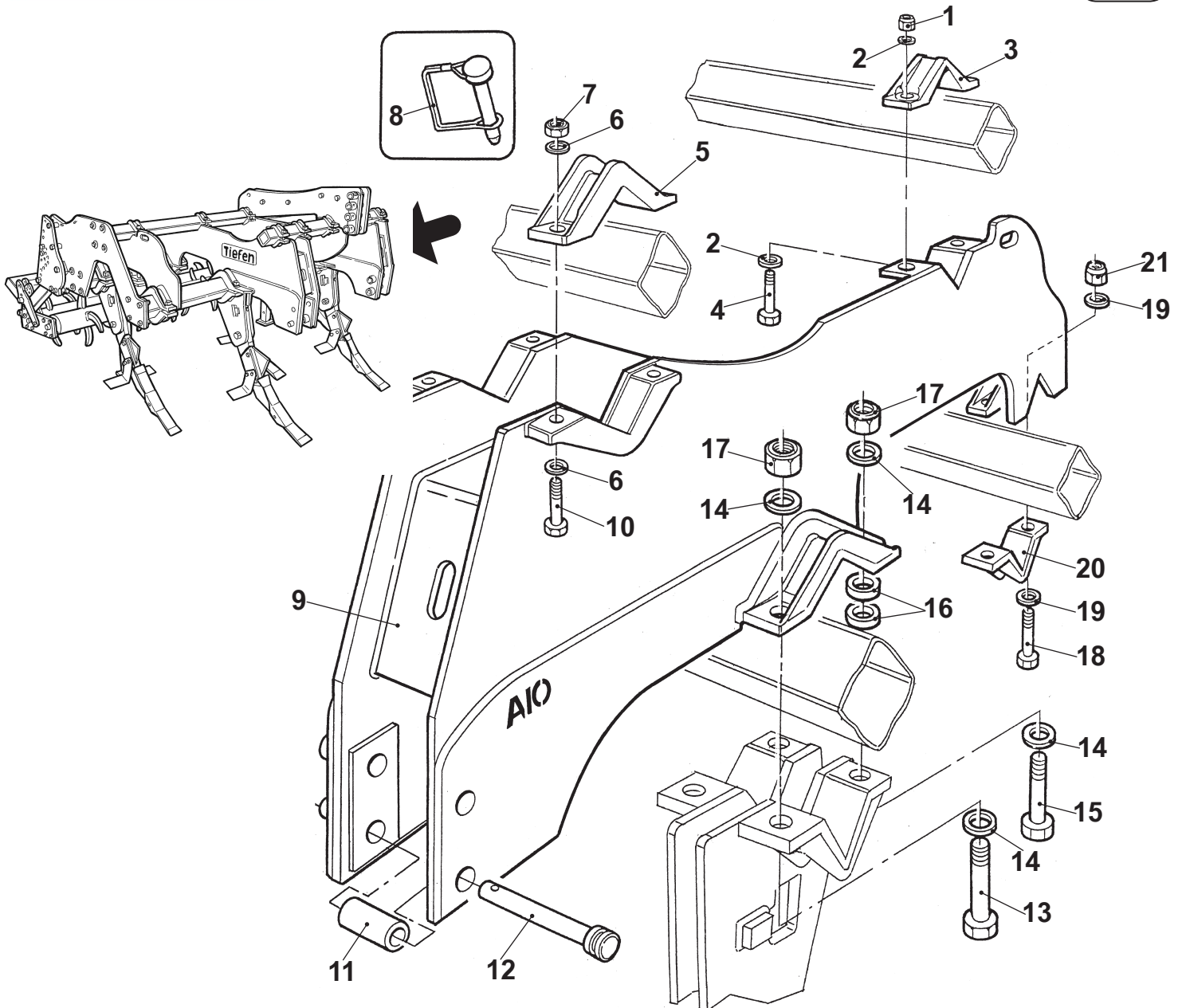




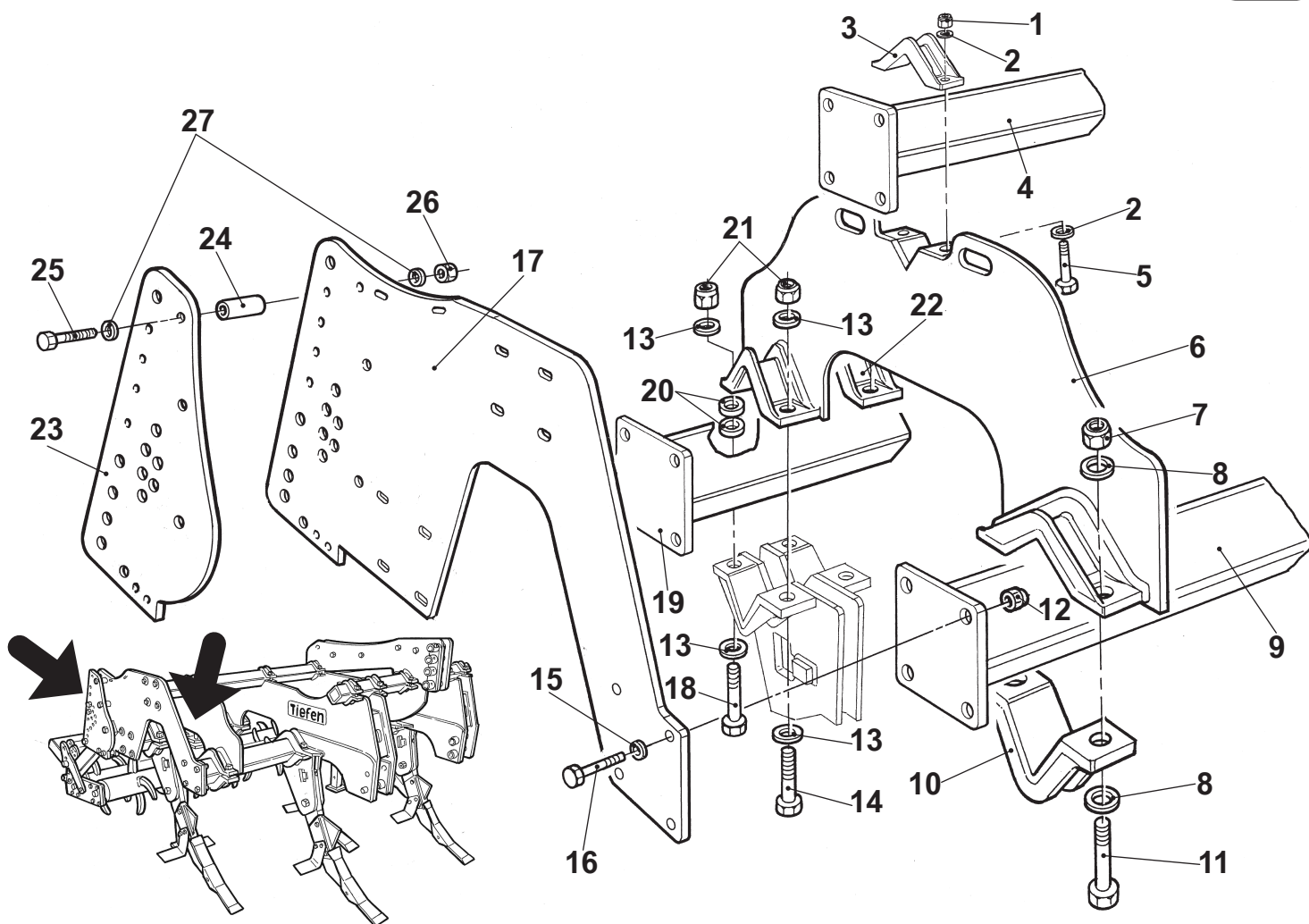
Pos.	Cod.	Descrizione	Description	Benennung	Description
1	S33A105	SPINA DI SICUREZZA	EPINE DE SURETE	SPLINT	SAFETY PIN
2	AUZM14	DADO	ECROU	MUTTER	NUT
3	M14x28x4	RONDELLA	RONDELLE	SCHEIBE	WASHER
4	GT012BD	TERZO PUNTO (DESTRO)	TROISIEME POINT (DROIT)	DREIPUNKT (RECHTS)	THIRD POINT (RIGHT)
5	CLOK16	DADO	ECROU	MUTTER	NUT
6	M16x30x4	RONDELLA	RONDELLE	SCHEIBE	WASHER
7	D16033	DISTANZIALE	ENTRETOISE	UNTERLEGSCHIEBE	SPACER
8	GT012BS	TERZO PUNTO (SINISTRO)	TROISIEME POINT (GAUCHE)	DREIPUNKT (LINKS)	THIRD POINT (LEFT)
9	16x130	VITE	VIS	SCHRAUBE	SCREW
10	SP2132	SPINOTTO	EPINE	SPLINT	PLUG
11	AUZM20	DADO	ECROU	MUTTER	NUT
12	16x30x4	RONDELLA	RONDELLE	SCHEIBE	WASHER
13	MP2104	MORSETTO PICCOLO	CLAMP	KLEMME	CLAMP
14	M14x28x4	RONDELLA	RONDELLE	SCHEIBE	WASHER
15	14x070	VITE	VIS	SCHRAUBE	SCREW
16	AUZM20	DADO	ECROU	MUTTER	NUT
17	M20x36xE	RONDELLA	RONDELLE	SCHEIBE	WASHER
18	TF002CAB	TRAVERSA CENTRALE	TRAVERSE CENTRAL	ZENTRAL QUERTRÄGER	CENTRAL CROSSBAR
19	MG2156	MORSETTO GRANDE	CLAMP	KLEMME	CLAMP
20	M20x36x4	RONDELLA	RONDELLE	SCHEIBE	WASHER
21	20x070	VITE	VIS	SCHRAUBE	SCREW
22	AUZM20	DADO	ECROU	MUTTER	NUT
23	M20x36xE	RONDELLA	RONDELLE	SCHEIBE	WASHER
24	MG2156	MORSETTO GRANDE	CLAMP	KLEMME	CLAMP
25	20x090	VITE	VIS	SCHRAUBE	SCREW
26	M20SP8	RONDELLE DISTANZIATRICI	RONDELLE	SCHEIBE	WASHER
27	20x070	VITE	VIS	SCHRAUBE	SCREW
28	20x070	VITE	VIS	SCHRAUBE	SCREW



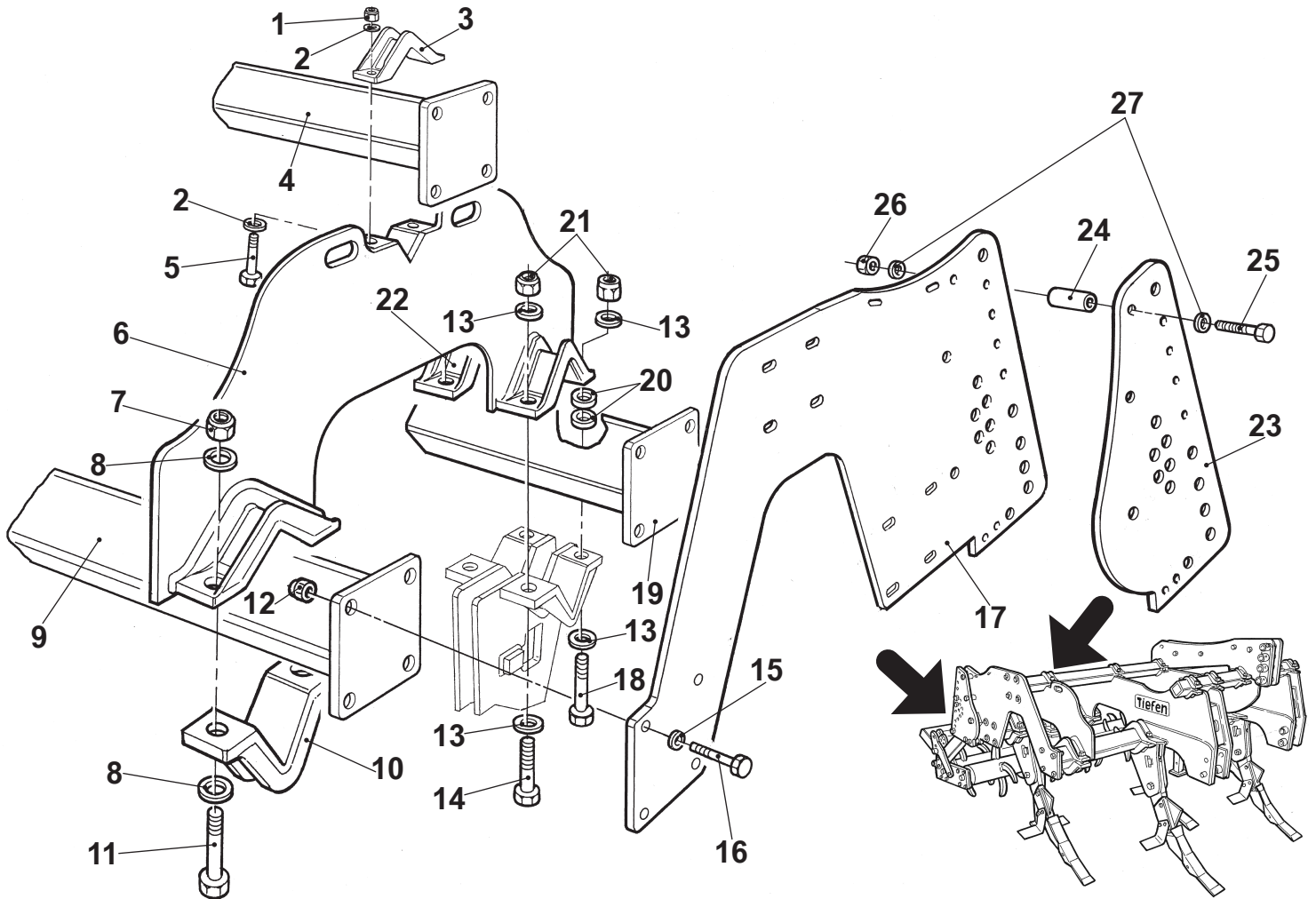
Pos.	Cod.	Descrizione	Description	Benennung	Description
1	AUZM14	DADO	ECROU	MUTTER	NUT
2	M14x28x4	RONDELLA	RONDELLE	SCHEIBE	WASHER
3	MP2104	MORSETTO PICCOLO	CLAMP	KLEMME	CLAMP
4	14x070	VITE	VIS	SCHRAUBE	SCREW
5	MP2104	MORSETTO PICCOLO	CLAMP	KLEMME	CLAMP
6	M14x28x4	RONDELLA	RONDELLE	SCHEIBE	WASHER
7	AUZM14	DADO	ECROU	MUTTER	NUT
8	S33A105	SPINA DI SICUREZZA	EPINE DE SURETE	SPLINT	SAFETY PIN
9	TF002BD	ATTACCO TRAINO (DESTRO)	ATTAQUE (DROIT)	ANSCHLÜSSE (RECHTS)	CONNECTION (RIGHT)
10	14x070	VITE	VIS	SCHRAUBE	SCREW
11	BCCD34	BUSSOLA DISTANZIALE	DOUILLE ENTRETOISE	DISTANZBUCHSE	DISTANCE BUSH
12	SP3136	SPINOTTO	EPINE	SPLINT	PLUG
13	20x090	VITE	VIS	SCHRAUBE	SCREW
14	M20x36xE	RONDELLA	RONDELLE	SCHEIBE	WASHER
15	20x090	VITE	VIS	SCHRAUBE	SCREW
16	M20SP8	RONDELLE DISTANZIATRICI	RONDELLE	SCHEIBE	WASHER
17	AUZM20	DADO	ECROU	MUTTER	NUT
18	20x090	VITE	VIS	SCHRAUBE	SCREW
19	M20x36x4	RONDELLA	RONDELLE	SCHEIBE	WASHER
20	MG2156	MORSETTO GRANDE	CLAMP	KLEMME	CLAMP
21	AUZM20	DADO	ECROU	MUTTER	NUT



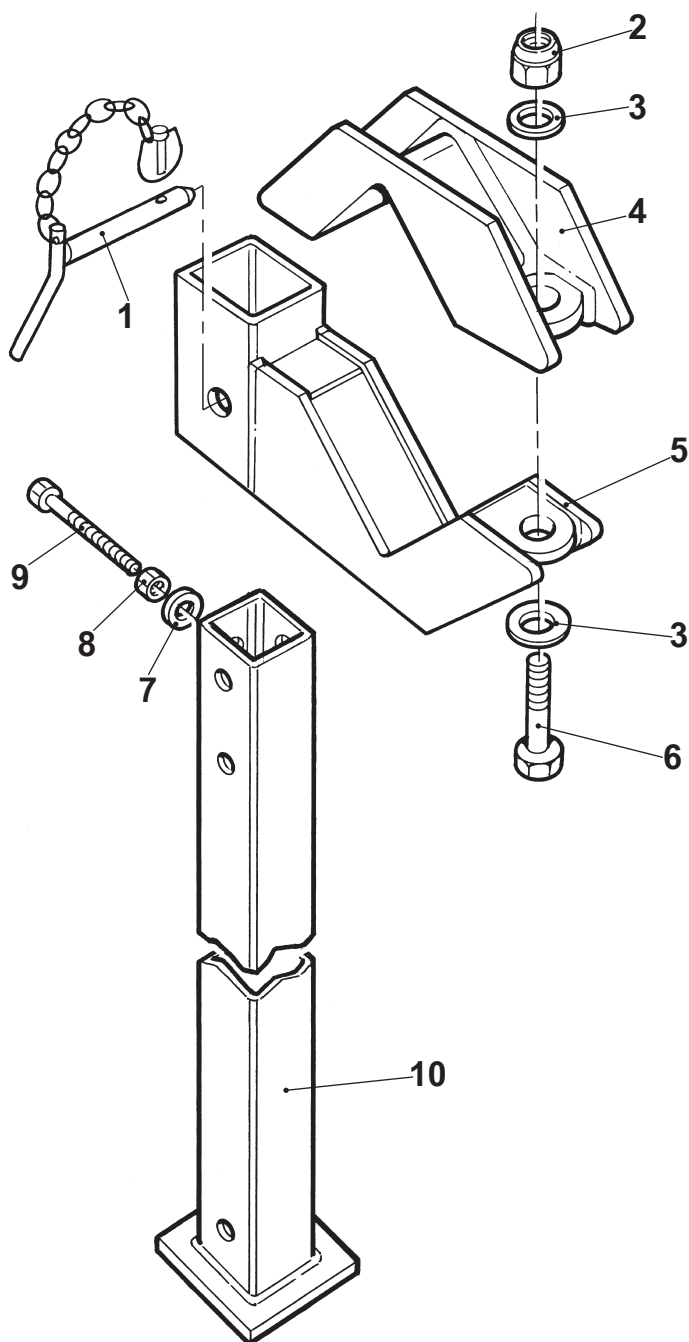
Pos.	Cod.	Descrizione	Description	Benennung	Description
1	AUZM14	DADO	ECROU	MUTTER	NUT
2	M14x28x4	RONDELLA	RONDELLE	SCHEIBE	WASHER
3	MP2104	MORSETTO PICCOLO	CLAMP	KLEMME	CLAMP
4	14x070	VITE	VIS	SCHRAUBE	SCREW
5	MP2104	MORSETTO PICCOLO	CLAMP	KLEMME	CLAMP
6	M14x28x4	RONDELLA	RONDELLE	SCHEIBE	WASHER
7	AUZM14	DADO	ECROU	MUTTER	NUT
8	S33A105	SPINA DI SICUREZZA	EPINE DE SURETE	SPLINT	SAFETY PIN
9	TF002BS	ATTACCO TRAINO (SINISTRO)	ATTAQUE (GAUCHE)	ANSCHLÜSSE (LINKS)	CONNECTION (LEFT)
10	14x070	VITE	VIS	SCHRAUBE	SCREW
11	BCCD34	BUSSOLA DISTANZIALE	DOUILLE ENTRETOISE	DISTANZBUCHSE	DISTANCE BUSH
12	SP3136	SPINOTTO	EPINE	SPLINT	PLUG
13	20x090	VITE	VIS	SCHRAUBE	SCREW
14	M20x36xE	RONDELLA	RONDELLE	SCHEIBE	WASHER
15	20x090	VITE	VIS	SCHRAUBE	SCREW
16	M20SP8	RONDELLE DISTANZIATRICI	RONDELLE	SCHEIBE	WASHER
17	AUZM20	DADO	ECROU	MUTTER	NUT
18	20x090	VITE	VIS	SCHRAUBE	SCREW
19	M20x36x4	RONDELLA	RONDELLE	SCHEIBE	WASHER
20	MG2156	MORSETTO GRANDE	CLAMP	KLEMME	CLAMP
21	AUZM20	DADO	ECROU	MUTTER	NUT



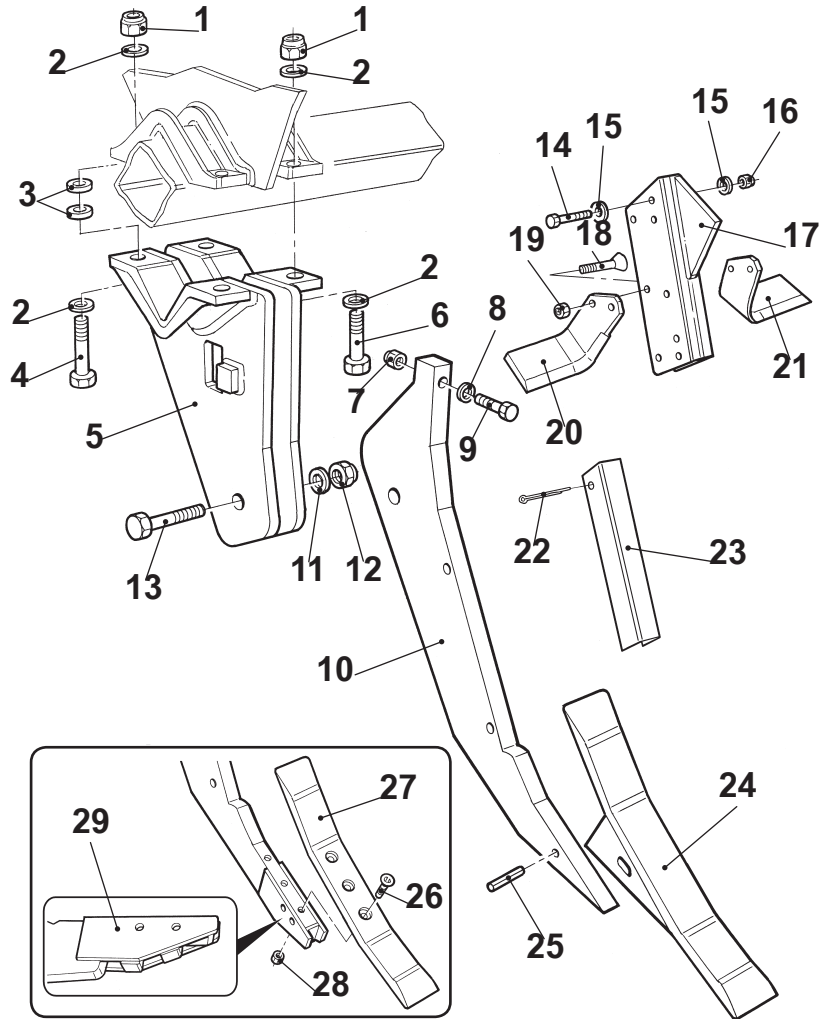
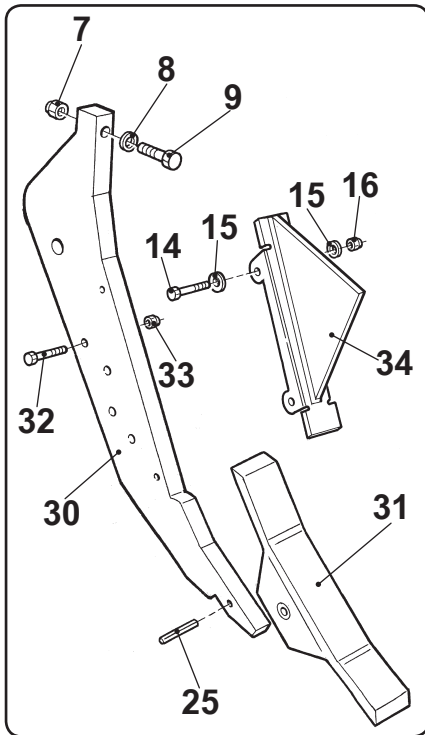
Pos.	Cod.	Descrizione	Description	Benennung	Description
1	AUZM14	DADO	ECROU	MUTTER	NUT
2	M14×28×4	RONDELLA	RONDELLE	SCHEIBE	WASHER
3	MP2104	MORSETTO PICCOLO	CLAMP	KLEMME	CLAMP
4	TC5370	TUBO SUPER. □ 70×70 L.3000	TUYAU SUPER. □ 70×70 L.3000	ROHR OBEN □ 70×70 L.3000	UPPER TUBE □ 70×70 L.3000
5	14×070	VITE	VIS	SCHRAUBE	SCREW
6	TF001BD	TRAVERSA CORTA (DESTRA)	TRAVERSE COURTE (DROIT)	QUERTRÄGER (RECHTS)	SHORT CROSSBAR (RIGHT)
7	AUZM20	DADO	ECROU	MUTTER	NUT
8	M20×36×4	RONDELLA	RONDELLE	SCHEIBE	WASHER
9	TC53100	TUBO ANTERIORE □ 100×100 L.3000	TUYAU AVANT □ 100×100 L.3000	ROHR VORNE □ 100×100 L.3000	FRONT TUBE □ 100×100 L.3000
10	MG2156	MORSETTO GRANDE	CLAMP	KLEMME	CLAMP
11	20×090	VITE	VIS	SCHRAUBE	SCREW
12	CLOK16	DADO	ECROU	MUTTER	NUT
13	M20×36×4	RONDELLA	RONDELLE	SCHEIBE	WASHER
14	20×090	VITE	VIS	SCHRAUBE	SCREW
15	FLM16D	RONDELLA	RONDELLE	SCHEIBE	WASHER
16	16×060	VITE	VIS	SCHRAUBE	SCREW
17	TF52GT	FIANCATA FINALE (DESTRA)	CÔTÉ DERNIERE (DROIT)	ENDSEITE (RECHTS)	SIDE END (RIGHT)
18	10×090	VITE	VIS	SCHRAUBE	SCREW
19	TC53100	TUBO POSTER. □ 100×100 L.3000	TUYAU ARRIERE □ 100×100 L.3000	HINTERE ROHR □ 100×100 L.3000	REAR TUBE □ 100×100 L.3000
20	M20SP8	RONDELLE DISTANZIATRICE	RONDELLE	SCHEIBE	WASHER
21	AUZM20	DADO	ECROU	MUTTER	NUT
22	MG2156	MORSETTO GRANDE	CLAMP	KLEMME	CLAMP
23	GT25DA1	FIANCATA PARZIALE	CÔTÉ	SEITE	SIDE
24	D16045	DISTANZIALE	ENTRETOISE	UNTERLEGSCHIEBE	SPACER
25	M16×100	VITE	VIS	SCHRAUBE	SCREW
26	CLOK16	DADO	ECROU	MUTTER	NUT
27	FLM16D	RONDELLA	RONDELLE	SCHEIBE	WASHER



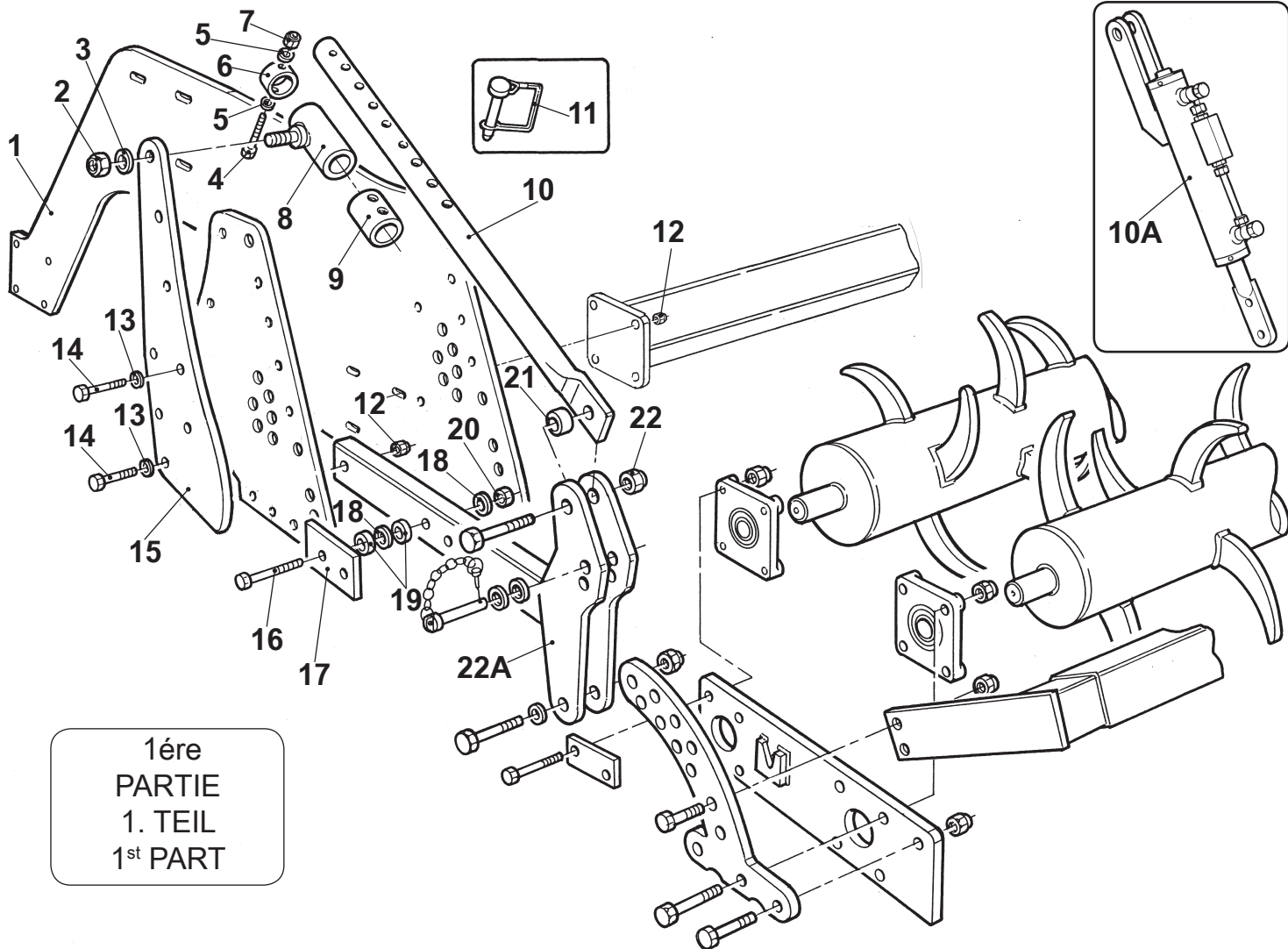
Pos.	Cod.	Descrizione	Description	Benennung	Description
1	AUZM14	DADO	ECROU	MUTTER	NUT
2	M14x28x4	RONDELLA	RONDELLE	SCHEIBE	WASHER
3	MP2104	MORSETTO PICCOLO	CLAMP	KLEMMME	CLAMP
4	TC5370	TUBO SUPER. □ 70x70 L.3000	TUYAU SUPER. □ 70x70 L.3000	ROHR OBEN □ 70x70 L.3000	UPPER TUBE □ 70x70 L.3000
5	14x070	VITE	VIS	SCHRAUBE	SCREW
6	TF001BS	TRAVERSA CORTA (SINISTRA)	TRAVERSE COURTE (GAUCHE)	QUERTRÄGER (LINKS)	SHORT CROSSBAR (LEFT)
7	AUZM20	DADO	ECROU	MUTTER	NUT
8	M20x36x4	RONDELLA	RONDELLE	SCHEIBE	WASHER
9	TC53100	TUBO ANTERIORE □ 100x100 L.3000	TUYAU AVANT □ 100x100 L.3000	ROHR VORNE □ 100x100 L.3000	FRONT TUBE □ 100x100 L.3000
10	MG2156	MORSETTO GRANDE	CLAMP	KLEMMME	CLAMP
11	20x090	VITE	VIS	SCHRAUBE	SCREW
12	CLOK16	DADO	ECROU	MUTTER	NUT
13	M20x36x4	RONDELLA	RONDELLE	SCHEIBE	WASHER
14	20x090	VITE	VIS	SCHRAUBE	SCREW
15	FLM16D	RONDELLA	RONDELLE	SCHEIBE	WASHER
16	16x060	VITE	VIS	SCHRAUBE	SCREW
17	TF52GT	FIANCATA FINALE (SINISTRA)	CÔTÉ DERNIERE (GAUCHE)	ENDSEITE (LINKS)	SIDE END (LEFT)
18	10x090	VITE	VIS	SCHRAUBE	SCREW
19	TC53100	TUBO POSTER. □ 100x100 L.3000	TUYAU ARRIERE □ 100x100 L.3000	HINTERE ROHR □ 100x100 L.3000	REAR TUBE □ 100x100 L.3000
20	M20SP8	RONDELLE DISTANZIATRICE	RONDELLE	SCHEIBE	WASHER
21	AUZM20	DADO	ECROU	MUTTER	NUT
22	MG2156	MORSETTO GRANDE	CLAMP	KLEMMME	CLAMP
23	GT25DA1	FIANCATA PARZIALE	CÔTÉ	SEITE	SIDE
24	D16045	DISTANZIALE	ENTRETOISE	UNTERLEGSCHIEBE	SPACER
25	M16x100	VITE	VIS	SCHRAUBE	SCREW
26	CLOK16	DADO	ECROU	MUTTER	NUT
27	FLM16D	RONDELLA	RONDELLE	SCHEIBE	WASHER



Pos.	Cod.	Descrizione	Description	Benennung	Description
1	S33A104	SPINOTTO	EPINE	SPLINT	PLUG
2	AUZM20	DADO	ECROU	MUTTER	NUT
3	M20×36×4	RONDELLA	RONDELLE	SCHEIBE	WASHER
4	MG2156	MORSETTO GRANDE □ 100×100	CLAMP □ 100×100	KLEMME □ 100×100	CLAMP □ 100×100
5	ST025A	STAFFA PORTAPIEDE	BRIDE PORTE-PIED	FUSSTRÄGER BÜGEL	STAND HOLDER BRAKET
6	20×090	VITE	VIS	SCHRAUBE	SCREW
7	M12D13	RONDELLA	RONDELLE	SCHEIBE	WASHER
8	AUZM12	DADO	ECROU	MUTTER	NUT
9	12×130	VITE	VIS	SCHRAUBE	SCREW
10	PA025P	PIEDE DI APPOGGIO	PIED D'APPUI	STÜTZFUSS	SUPPORT FOOT

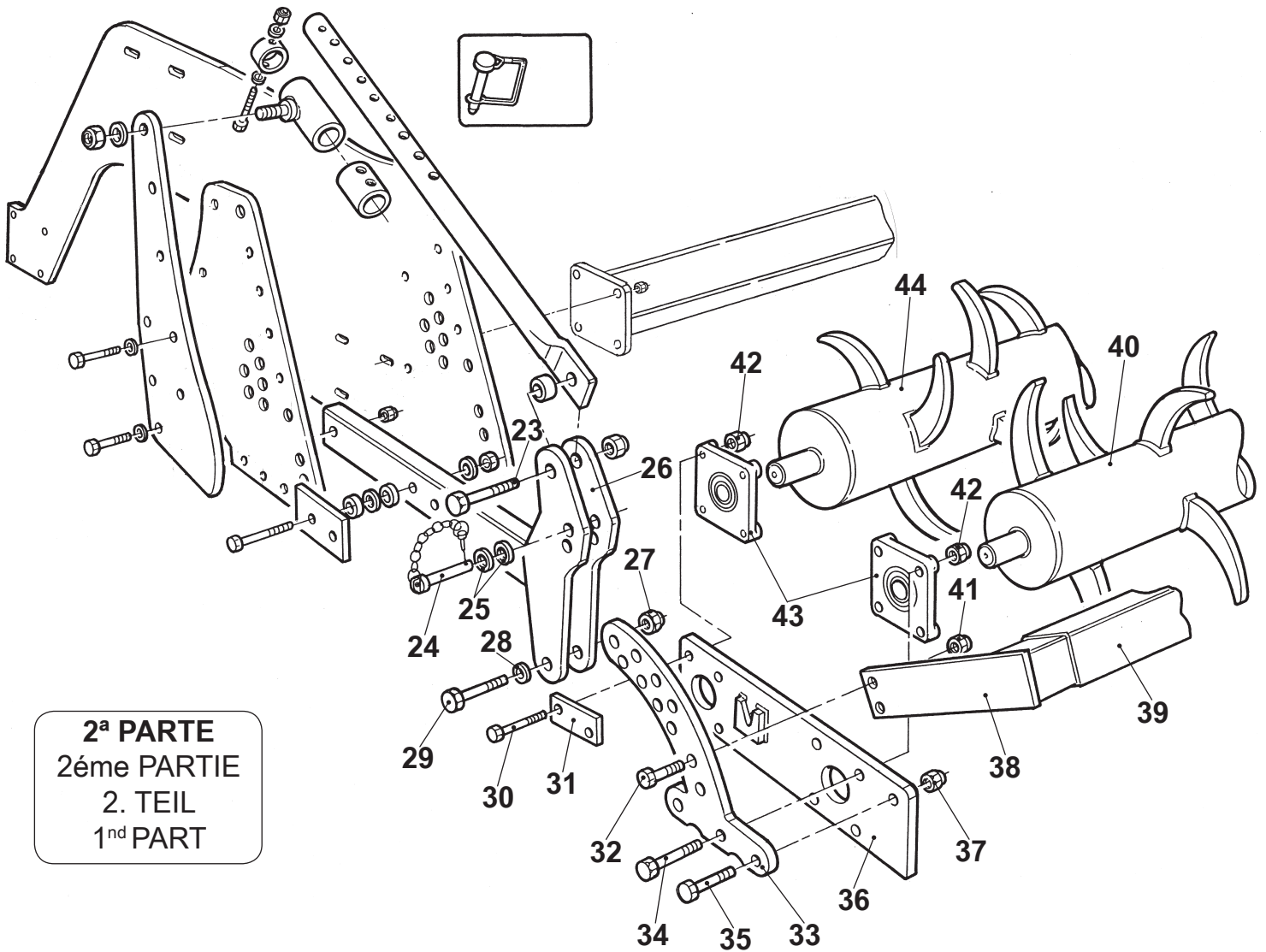


Pos.	Cod.	Descrizione	Description	Benennung	Description
1	AUZM20	DADO	ECROU	MUTTER	NUT
2	M20x36x4	RONDELLA	RONDELLE	SCHEIBE	WASHER
3	M20SP8	RONDELLE DISTANZIATRICI	RONDELLE	SCHEIBE	WASHER
4	20x090	VITE	VIS	SCHRAUBE	SCREW
5	TF01015	PORTA-ANCORA	PORTE-ANCRE	ANKERTRAGER	ANCHOR HOLDER
6	20x090	VITE	VIS	SCHRAUBE	SCREW
7	CLOK14	DADO	ECROU	MUTTER	NUT
8	M14x28x4	RONDELLA	RONDELLE	SCHEIBE	WASHER
9	14x120	VITE	VIS	SCHRAUBE	SCREW
10	TF011SG	ANCORA	ANCRE	ANKER	ANCHOR
11	M24x44x4	RONDELLA	RONDELLE	SCHEIBE	WASHER
12	AUZM24	DADO	ECROU	MUTTER	NUT
13	24x100	VITE	VIS	SCHRAUBE	SCREW
14	10x070	VITE	VIS	SCHRAUBE	SCREW
15	FLM10D	RONDELLA	RONDELLE	SCHEIBE	WASHER
16	CLOK10	DADO	ECROU	MUTTER	NUT
17	705DS	ESPLOSOIRE	COUTRES A AILES	ZERKLEINERUNGSEINRICHTUNG	EJECTOR
18	12x035.TSB	VITE	VIS	SCHRAUBE	SCREW
19	AUZM12	DADO	ECROU	MUTTER	NUT
20	ZA023D	ZAPPETTA DESTRA	HOUE DROIT	HACKE RECHTS	RIGHT MATTOCK
21	ZA024S	ZAPPETTA SINISTRA	HOUE GAUCHE	HACKE LINKS	LEFT MATTOCK
22	10x60	SPINA ELASTICA	EPINE ELASTIQUE	FEDERSPLIT	SPRING PIN
23	PRTC30	PROTEZIONE ANCORA	PROTECTON ANCRE	SCHUTZANKER	ANCHOR GUARD
24	Z053R70	VOMERE RAPIDO	SOC	SCHAR	PLOUGHSHARE
25	UNI7343	SPINA ELASTICA	EPINE ELASTIQUE	FEDERSPLIT	SPRING PIN
26	12x70	VITE	VIS	SCHRAUBE	SCREW
27	Z05270	VOMERE	SOC	SCHAR	PLOUGHSHARE
28	AUZM12	DADO	ECROU	MUTTER	NUT
29	TF110	PIEDINO	PIED D'APPUJ	STÜTZFUSS	SUPPORT FOOT
30	TF011SR	ANCORA	ANCRE	ANKER	ANCHOR
31	VRR2070	VOMERE RAPIDO REVERSIB.	SOC	SCHAR	REVERSIBLE PLOUGHSHARE
32	12x070	VITE	VIS	SCHRAUBE	SCREW
33	AUZM12	DADO	ECROU	MUTTER	NUT
34	PA180R	PROTEZIONE ANCORA CON PINNA	PROTECTON ANCRE	SCHUTZANKER	ANCHOR GUARD



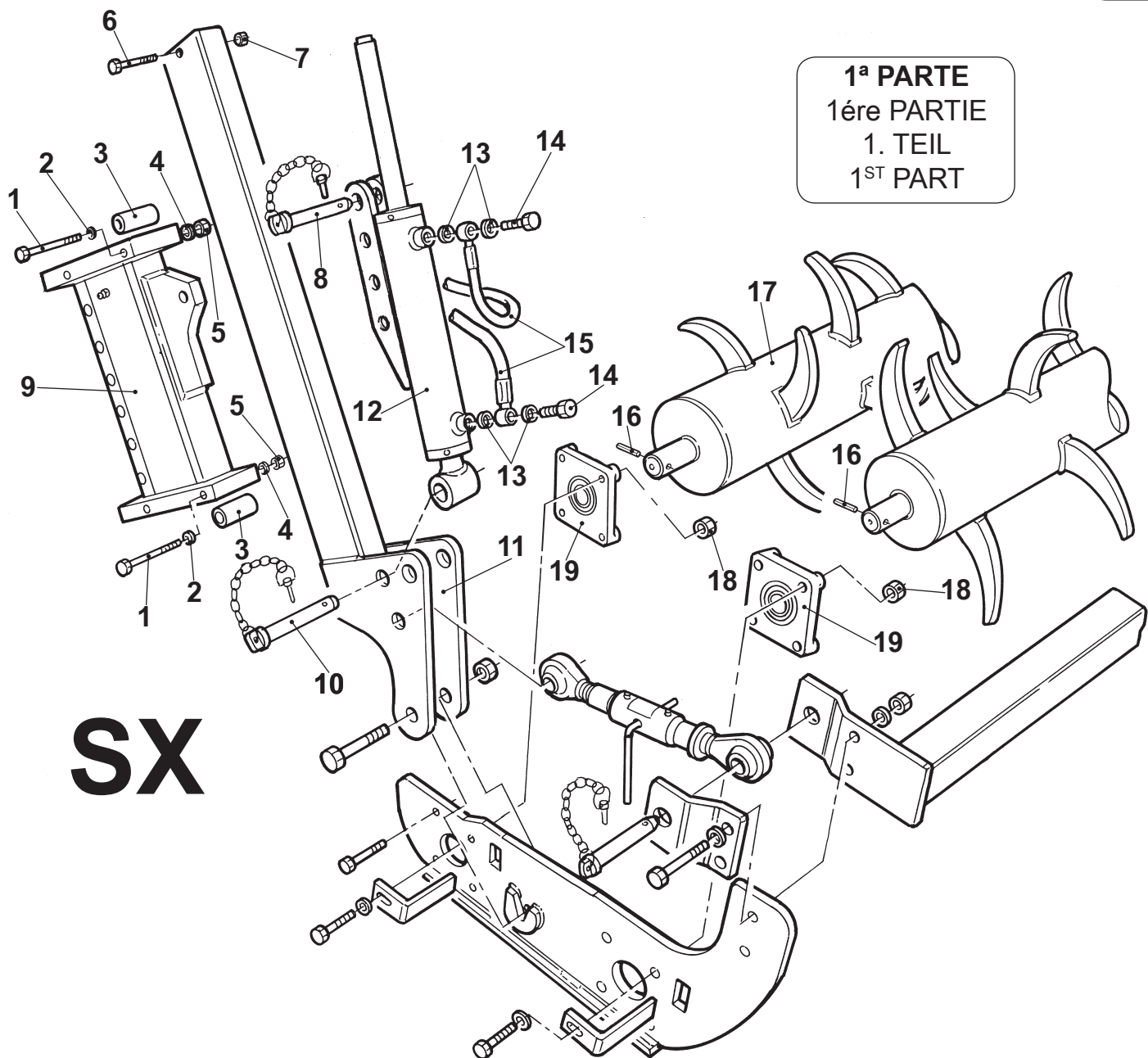
1ére  
PARTIE  
1. TEIL  
1st PART

Pos.	Cod.	Descrizione	Description	Benennung	Description
1	TC52GT	FIANCATA FINALE	CÔTÉ DERNIERE	ENDSEITE	FINAL SIDE
2	AUZM20	DADO	ECROU	MUTTER	NUT
3	M20x36x4	RONDELLA	RONDELLE	SCHEIBE	WASHER
4	12x070	VITE	VIS	SCHRAUBE	SCREW
5	M12D13	RONDELLA	RONDELLE	SCHEIBE	WASHER
6	AFT100	ANELLO FISSAGGIO TUBO	ANNEAU	RING	FASTENING RING
7	AUZM12	DADO	ECROU	MUTTER	NUT
8	BUST00	BUSSOLA SCORRIM. TUBO	DOUILLE-GUIDE TUYAU	ROHR LEITERBÜCHSE	BUSH SLIDING TUBE
9	BR0200	BOCCOLA REGOLAZIONE PROFONDITA' TUBO	BAGUE	BUCHSE	BUSH
10	TF1000	TUBO FORATO	TUYAU PERFOREE	LÖCHERROHR	HOLED TUBE
10A	RC00624	CILINDRO IDRAULICO (DX/SX)	CYLINDRE HYDRAULIQUE (DROITE/GAUCHE)	HYDRAUL. ZYLINDER (RECHTS/LINKS)	HYDRAULIC CYLINDER (RIGHT/LEFT)
11	S33A105	SPINA	EPINE	SPLINT	PLUG
12	CLOK16	DADO	ECROU	MUTTER	NUT
13	FLM16D	RONDELLA	RONDELLE	SCHEIBE	WASHER
14	16x060	VITE	VIS	SCHRAUBE	SCREW
15	STC701	STAFFA PORTATUBO	BRIDE	BÜGEL	BRACKET
16	16x090	VITE	VIS	SCHRAUBE	SCREW
17	PTT002	PIATTO	PLAQUE	PLATTE	PLATE
18	M16x30x4	RONDELLA	RONDELLE	SCHEIBE	WASHER
19	AUZM18	RONDELLE DISTANZIATRICI	RONDELLE	SCHEIBE	WASHER
20	CLOK16	DADO	ECROU	MUTTER	NUT
21	BCC002	BOCCOLA	BAGUE	BUCHSE	BUSH
22	AUZM20	DADO	ECROU	MUTTER	NUT
22A	STC702	STAFFA PORTATUBO	BRIDE	BÜGEL	BRACKET



**2<sup>a</sup> PARTE**  
**2<sup>ème</sup> PARTIE**  
**2. TEIL**  
**1<sup>nd</sup> PART**

Pos.	Cod.	Descrizione	Description	Benennung	Description
23	20x090	VITE	VIS	SCHRAUBE	SCREW
24	S33456	SPINOTTO	EPINE	SPLINT	PLUG
25	R20SP8	RONDELLE DISTANZIATRICE	RONDELLE	SCHEIBE	WASHER
26	STC702	STAFFA	BRIDE	BRACKET	BRACKET
27	AUZM20	DADO	ECROU	MUTTER	NUT
28	M20x36x4	RONDELLA	RONDELLE	SCHEIBE	WASHER
29	20x090	VITE	VIS	SCHRAUBE	SCREW
30	14x055	VITE	VIS	SCHRAUBE	SCREW
31	PTC702	PIATTO OBLIQUO	PLAQUE	PLATTE	PLATE
32	12x040	VITE	VIS	SCHRAUBE	SCREW
33	STC703	STAFFA REGISTRO REGOLAZIONE RULLI	BRIDE	BÜGEL	BRACKET
34	14x055	VITE	VIS	SCHRAUBE	SCREW
35	14x040	VITE	VIS	SCHRAUBE	SCREW
36	TG555210	STAFFA PORTA RULLI	BRIDE	BÜGEL	BRACKET
37	AUZM14	DADO	ECROU	MUTTER	NUT
38	TGTF22	STAFFA PORTA- PROTEZIONE RULLI	BRIDE	BÜGEL	BRACKET
39	TGTF21	PROTEZIONE RULLI	PROTECTION ROULEAU	WALZEN SCHÜTZ	ROLLER GUARD
40	RP25500B	RULLO POSTERIORE	ROULEAU ARRIERE	HINTERE WALZEN	REAR ROLLER
41	AUZM12	DADO	ECROU	MUTTER	NUT
42	AUZM14	DADO	ECROU	MUTTER	NUT
43	UCF210	SUPPORTO CUSCINETTO	SUPPORT ROULEMENT	LAGERHALTERUNG	SUPPORT BEARING
44	RP25500A	RULLO ANTERIORE	ROULEAU AVANT	WALZEN VORN	FRONT ROLLER
45	GT25DSC17	FIANCATA FINALE (DX/SX)	CÔTÉ DERNIERE	ENDSEITE	FINAL SIDE

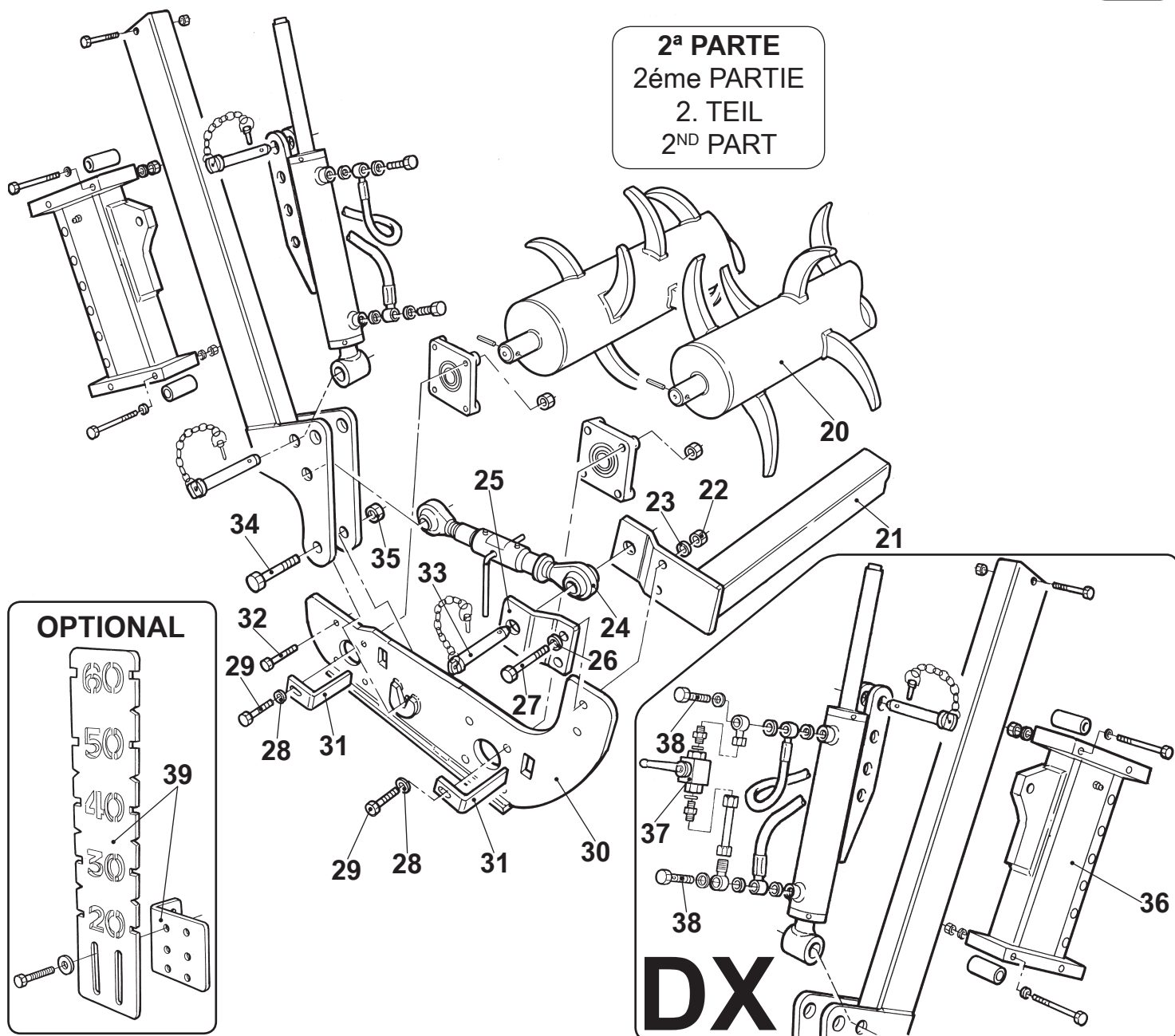


**1ª PARTE**  
**1ère PARTIE**  
**1. TEIL**  
**1<sup>ST</sup> PART**

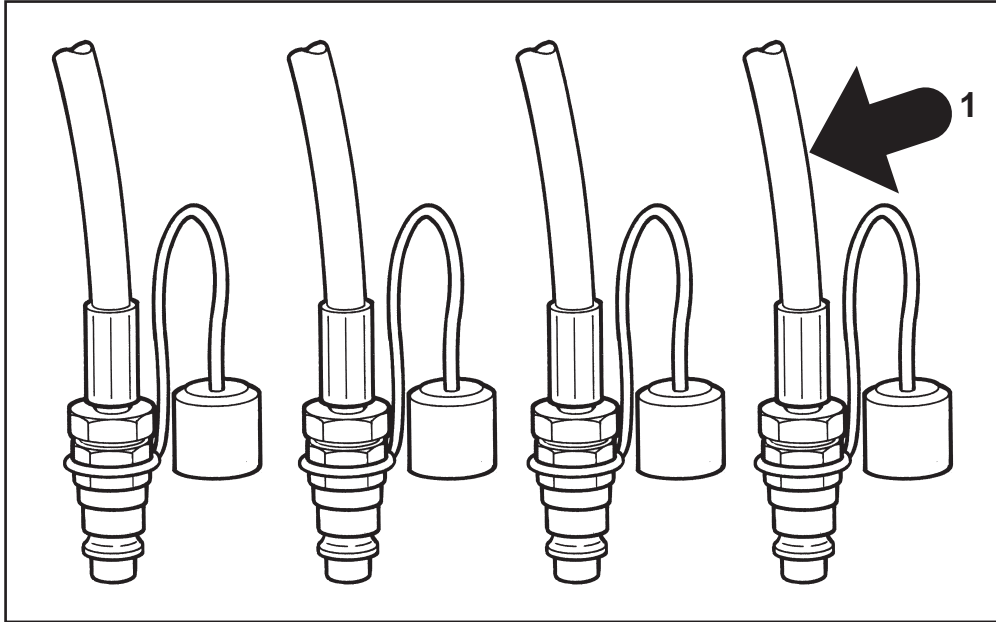
**SX**

Pos.	Cod.	Descrizione	Description	Benennung	Description
1	12x130	VITE	VIS	SCHRAUBE	SCREW
2	M12D13	RONDELLA	RONDELLE	SCHEIBE	WASHER
3	RT4000	RULLO IN TEFLON	ROULEAU	WALZEN	ROLLER
4	M12D13	RONDELLA	RONDELLE	SCHEIBE	WASHER
5	AUZM12	DADO	ECROU	MUTTER	NUT
6	10x080	VITE	VIS	SCHRAUBE	SCREW
7	AUZM10	DADO	ECROU	MUTTER	NUT
8	S33457	SPINOTTO	EPINE	SPLINT	PLUG
9	CTTSX6	CANOTTO (SINISTRO)	TUBE (GAUCHE)	ROHR (LINKS)	TUBE (LEFT)
10	S33457	SPINOTTO	EPINE	SPLINT	PLUG
11	BSTG0210	BRACCIO SCORREVOLE	BRAS COULISSANT	GLEITARM	SLIDING ARM
12	CI06SX	CILINDRO IDRAULICO (SINISTRO)	CYLINDRE HYDRAULIQUE (GAUCHE)	HYDRAUL. ZYLINDER (LINKS)	HYDRAULIC CYLINDER (LEFT)
13	RRM3/8	RONDELLA	RONDELLE	SCHEIBE	WASHER
14	VFC3/8	VITE FORATA CORTA 3/8"	VIS PERFOREE 3/8"	LÖCKERSCHRAUBE 3/8"	SCREW 3/8"
15	TU2SC4	TUBO IDRAULICO	TUYAU HYDRAULIQUE	HYDRAUL. ROHR	HYDRAULIC TUBE
16	S10x70	SPINA	EPINE	SPLINT	PLUG
17	RP25500A	RULLO ANTERIORE L.3000	ROULEAU AVANT L.3000	VORNE WALZEN L.3000	FRONT ROLLER L.3000
18	AUZM14	DADO	ECROU	MUTTER	NUT
19	UCF210	SUPPORTO CUSCINETTI	SUPPORT ROULEMENT	LAGERHALTERUNG	BEARING SUPPORT

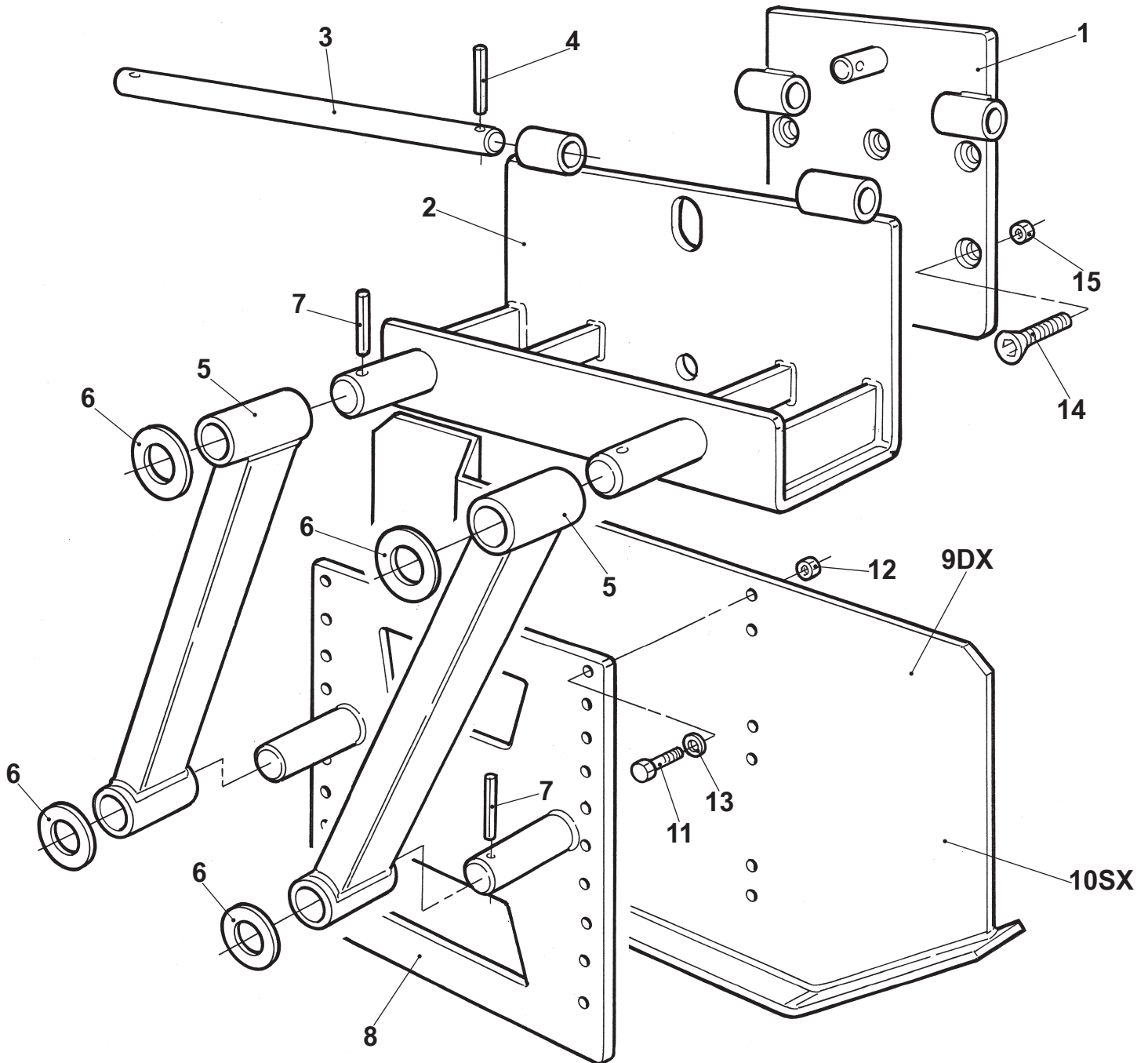
**2ª PARTE**  
2ème PARTIE  
2. TEIL  
2<sup>ND</sup> PART



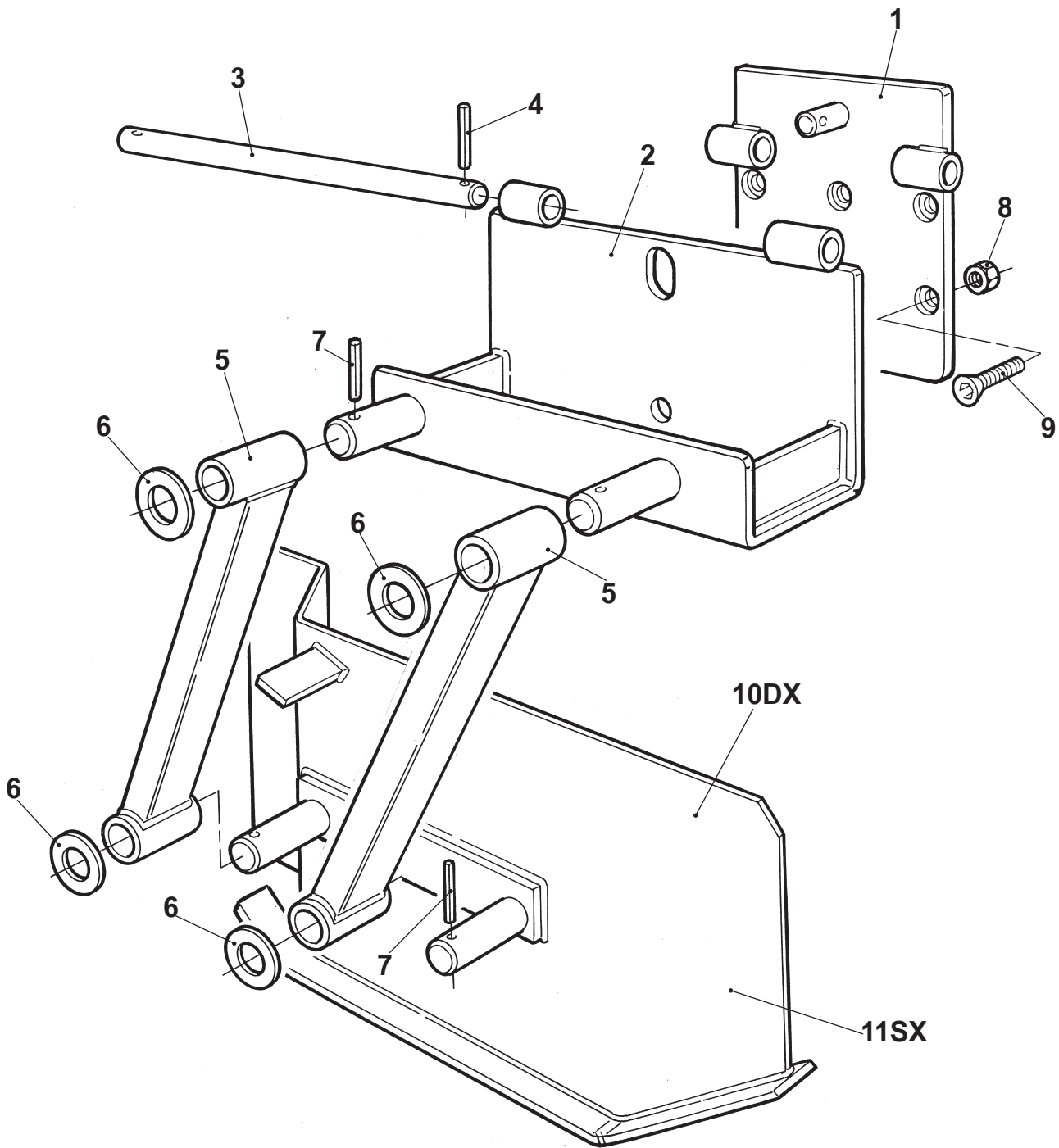
Pos.	Cod.	Descrizione	Description	Benennung	Description
20	RP25500B	RULLO POSTERIORE L.3000	ROULEAU ARRIERE L.3000	HINTERE WALZEN L.3000	REAR ROLLER L.3000
21	TGTF21	PROTEZIONE RULLI	PROTECTION ROULEAU	SCHUTZWALZEN	ROLLER GUARD
22	CLOK16	DADO	ECROU	MUTTER	NUT
23	M16×30×4	RONDELLA	RONDELLE	SCHEIBE	WASHER
24	TZREGR	REGISTRO INCLINAZ. RULLI	REGUL. INCLIN. ROULEAU	NEIGUNG ROLLEN REGLER	ROLLERS INCLIN. REGISTER
25	STG00B	STAFFA CHIUSURA	BRIDE	BRACKET	BRACKET
26	M16×30×4	RONDELLA	RONDELLE	SCHEIBE	WASHER
27	16×060	VITE	VIS	SCHRAUBE	SCREW
28	M14×28×4	RONDELLA	RONDELLE	SCHEIBE	WASHER
29	14×055	VITE	VIS	SCHRAUBE	SCREW
30	STG579	FIANCATA PORTARULLI	CÔTÉ PORTE-ROULEAU	WALZEN HALTER. SEITE	SIDE ROLLER HOLDER
31	RSTG01	RASCHIATORE	RACLEUR	KRATZER	SCRAPER
32	14×045	VITE	VIS	SCHRAUBE	SCREW
33	S33457	SPINOTTO	EPINE	SPLINT	PLUG
34	22×130	VITE	VIS	SCHRAUBE	SCREW
35	AUZM22	DADO	ECROU	MUTTER	NUT
36	CTTDX6	CANOTTO (DESTRO)	TUBE (DROIT)	ROHR (RECHTS)	TUBE (RIGHT)
37	RUVS38	RUBINETTO ALTA PRESSIONE	ROBINET HAUTE PRESSION	HOCHDRUCK ABSPERRHAHN	HIGH PRESSURE TAP
38	VFL3/8	VITE FORATA LUNGA 3/8"	VIS PERFOREE 3/8"	LÖCKERSCHRAUBE 3/8"	SCREW 3/8"
39	STG600	INDICATORE DI PROFONDITA'KIT COMPLETO	INDICATEUR DE PROFONDEUR	TIEFENANZEIGER	DEPTH INDICATOR



Pos.	Cod.	Descrizione	Description	Benennung	Description
1	KSTG57911	KIT COMPLETO TUBI IDRAULICI ATTACCHI RAPIDI	ATACHEMENT RAPIDE	SCHNELLER EINSATZ	COMPLETE KIT OF HYDRAULIC TUBES AND QUICK LINKAGES



Pos.	Cod.	Descrizione	Description	Benennung	Description
1	TC516A	STAFFA FISSAGGIO	BRIDE DE MONTAGE	HALTER	MOUNTING BRACKET
2	TC516B	SUPPORTO BIELLE	SUPPORT TIGE	KOLBENSTANGE HALTER	SUPPORT RODS
3	SPN600	SPINOTTO	EPINE	SPLINT	PLUG
4	SE10	SPINA ELASTICA CORTA	EPINE ELASTIQUE	FEDERSPLIT	SPRING PIN
5	BIE00A2	BIELLA	TIGE	KOLBENSTANGE	ROD
6	RM36	RONDELLA	RONDELLE	SCHEIBE	WASHER
7	SE12	SPINA ELASTICA LUNGA	EPINE ELASTIQUE	FEDERSPLIT	SPRING PIN
8	STG21010	SUPPORTO REGOLAZIONE	SUPPORT	HALTER	SUPPORT
9	TC51517DX	DEFLETTORE DESTRO REGOLABILE	DÉFLECTEUR DROIT RÉGLABLE	VERSTELLBARE RECHTE KLAPPE	ADJUSTABLE RIGHT DEFLECTOR
10	TC51517SX	DEFLETTORE SINISTRO REGOLABILE	DÉFLECTEUR GAUCHE RÉGLABLE	VERSTELLBARE LINKE KLAPPE	ADJUSTABLE LEFT DEFLECTOR
11	12x040	VITE	VIS	SCHRAUBE	SCREW
12	AUZM12	DADO	ECROU	MUTTER	NUT
13	M12D13	RONDELLA	RONDELLE	SCHEIBE	WASHER
14	TS16x60	VITE SVASATA	VIS	SCHRAUBE	SCREW
15	AUZM12	DADO	ECROU	MUTTER	NUT



Pos.	Cod.	Descrizione	Description	Benennung	Description
1	TC516A	STAFFA FISSAGGIO	BRIDE DE MONTAGE	HALTER	MOUNTING BRACKET
2	TC516B	SUPPORTO BIELLE	SUPPORT TIGE	KOLBENSTANGE HALTER	SUPPORT RODS
3	SPN600	SPINOTTO	EPINE	SPLINT	PLUG
4	SE10	SPINA ELASTICA CORTA	EPINE ELASTIQUE	FEDERSPLIT	SPRING PIN
5	BIE00A2	BIELLA	TIGE	KOLBENSTANGE	ROD
6	RM36	RONDELLA	RONDELLE	SCHEIBE	WASHER
7	SE12	SPINA ELASTICA LUNGA	EPINE ELASTIQUE	FEDERSPLIT	SPRING PIN
8	AUZM16	DADO	ECROU	MUTTER	NUT
9	TS16x60	VITE SVASATA	VIS	SCHRAUBE	SCREW
10	TC51510DX	DEFLETTORE DESTRO FISSO	DÉFLECTEUR DROIT FIXE	FEST RECHTE KLAPPE	FIXED RIGHT DEFLECTOR
11	TC51511SX	DEFLETTORE SINISTRO FISSO	DÉFLECTEUR GAUCHE FIXE	FEST LINKE KLAPPE	FIXED LEFT DEFLECTOR