



Tiefenlocker SSD R Глубококорыхлителъ SSD R

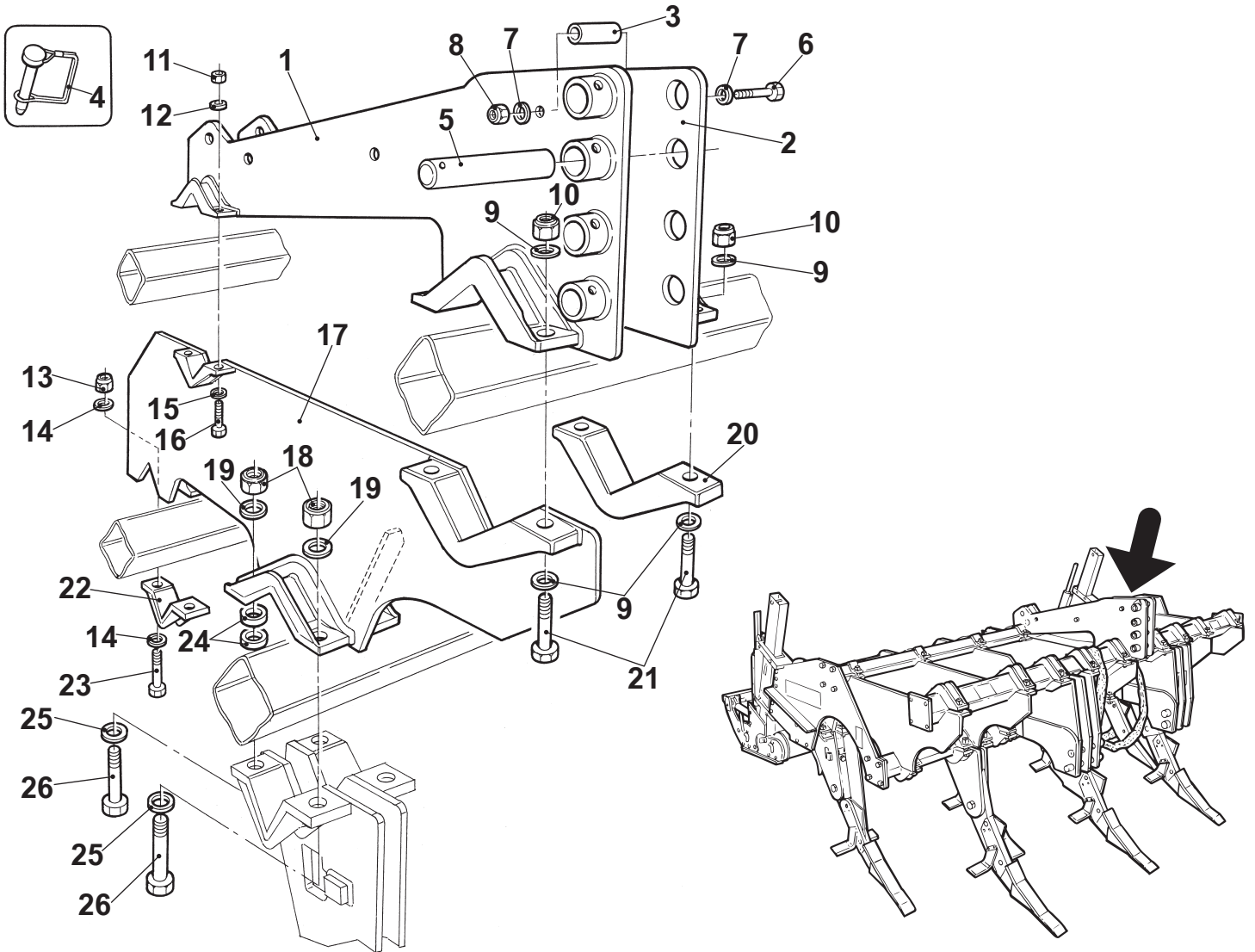
Ersatzteilliste Katalog
Каталог запасных частей

Quivogne CEE GmbH

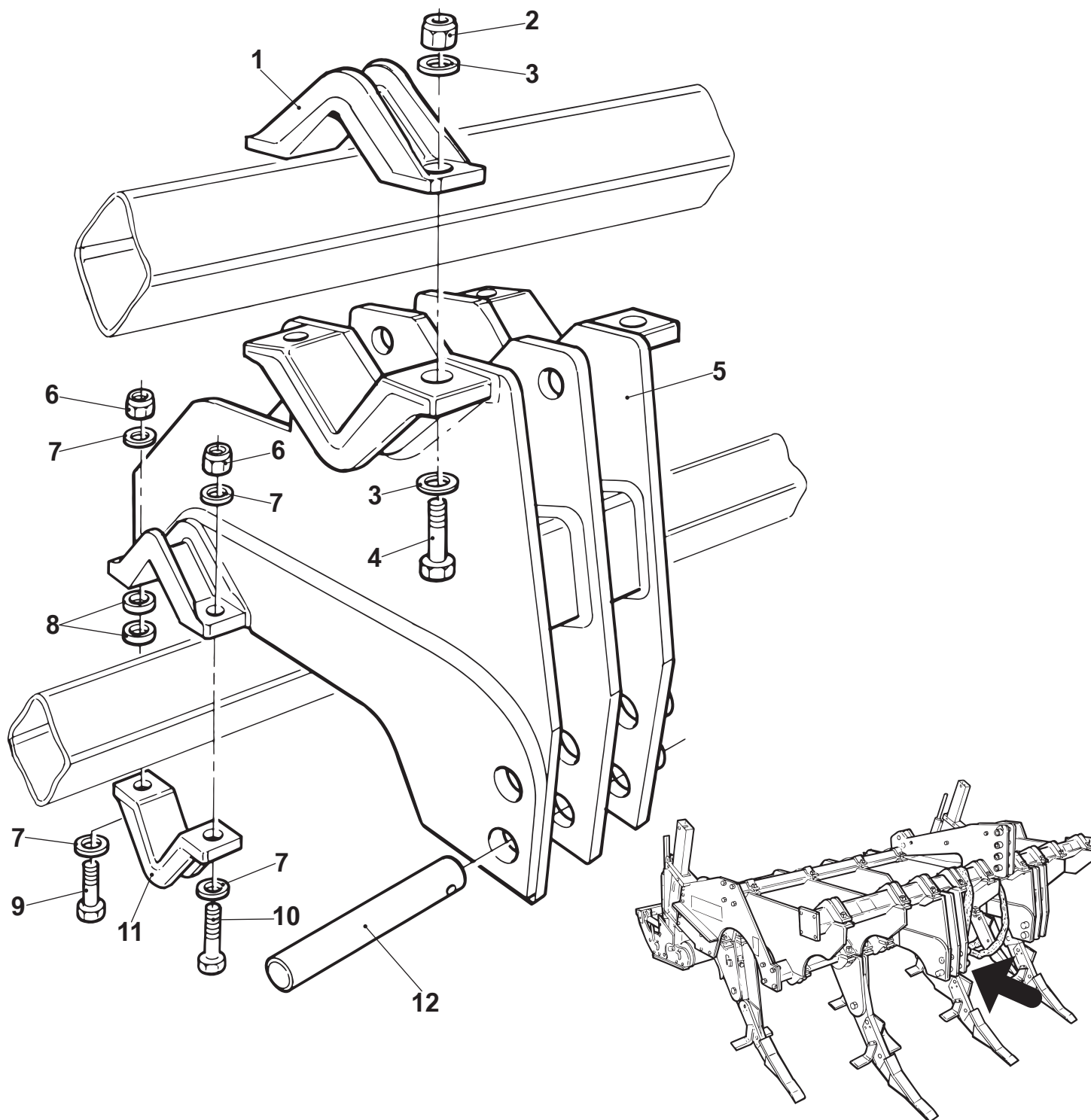
Reisnerstrasse 35/13
1030 Vienna
Austria

Tel.: +43 1 997 19 35
Fax.: +43 1 997 19 35 10
Email: info@quivogne.at

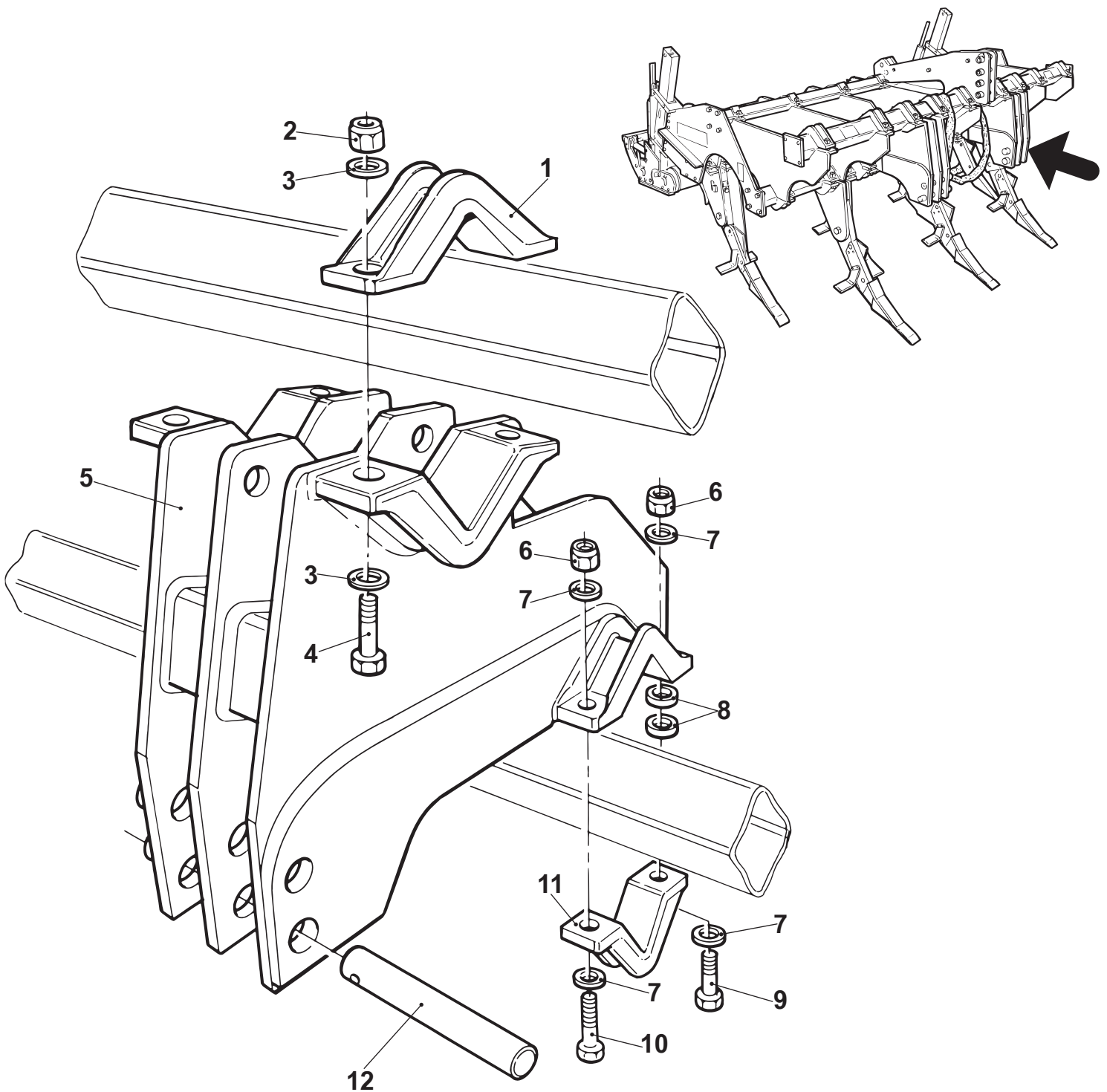
www.quivogne.info



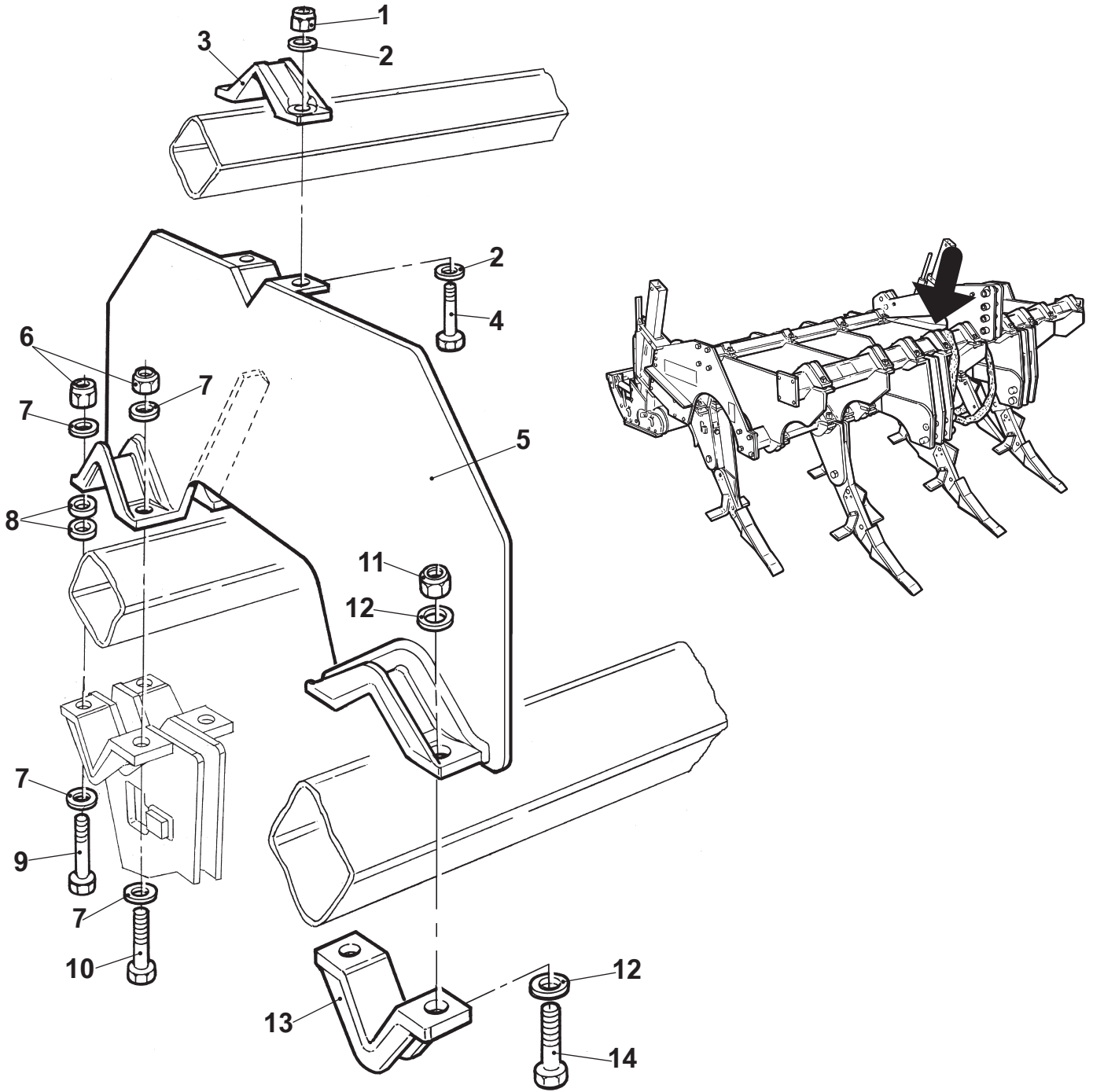
Pos.	Cod.	Benennung	Наименование	Description
1	TC502RUD	Dreipunkt (Rechts)	Верхняя балка (правая)	(right)
2	TC502RUD	Dreipunkt (Links)	Верхняя балка (левая)	Three-point (links)
3	DI6033	Unterlegscheibe	Промежуточная втулка	flat washer
4	S33A105	Splint	Шплинт	cotter
5	SP2132	Splint	Шплинт	cotter
6	16x130	Schraube	Болт	screw
7	M16x30x4	Scheibe	Шайба	disc
8	CLOK16	Mutter	Гайка	screw-nut
9	M16x30x4	Scheibe	Шайба	disc
10	AUZM2	Mutter	Гайка	screw-nut
11	AUZM14	Mutter	Гайка	screw-nut
12	M14x28x4	Scheibe	Шайба	disc
13	AUZM20	Mutter	Гайка	screw-nut
14	M20x36x4	Scheibe	Шайба	disc
15	M14x28x4	Scheibe	Шайба	disc
16	14x070	Mutter	Гайка	screw-nut
17	TC500C	Zentral Querträger	Нижняя балка	Central crossbeam
18	AUZM24	Mutter	Гайка	screw-nut
19	M24x44x4	Scheibe	Шайба	disc
20	MG2156	Klemme	Держатель	clamp
21	20x090	Schraube	Болт	screw
22	MG2156	Klemme	Держатель	clamp
23	20x090	Schraube	Болт	screw
24	M24SP8	Scheibe	Шайба	disc
25	M24x44x4	Scheibe	Шайба	disc
26	24x100	Schraube	Болт	screw



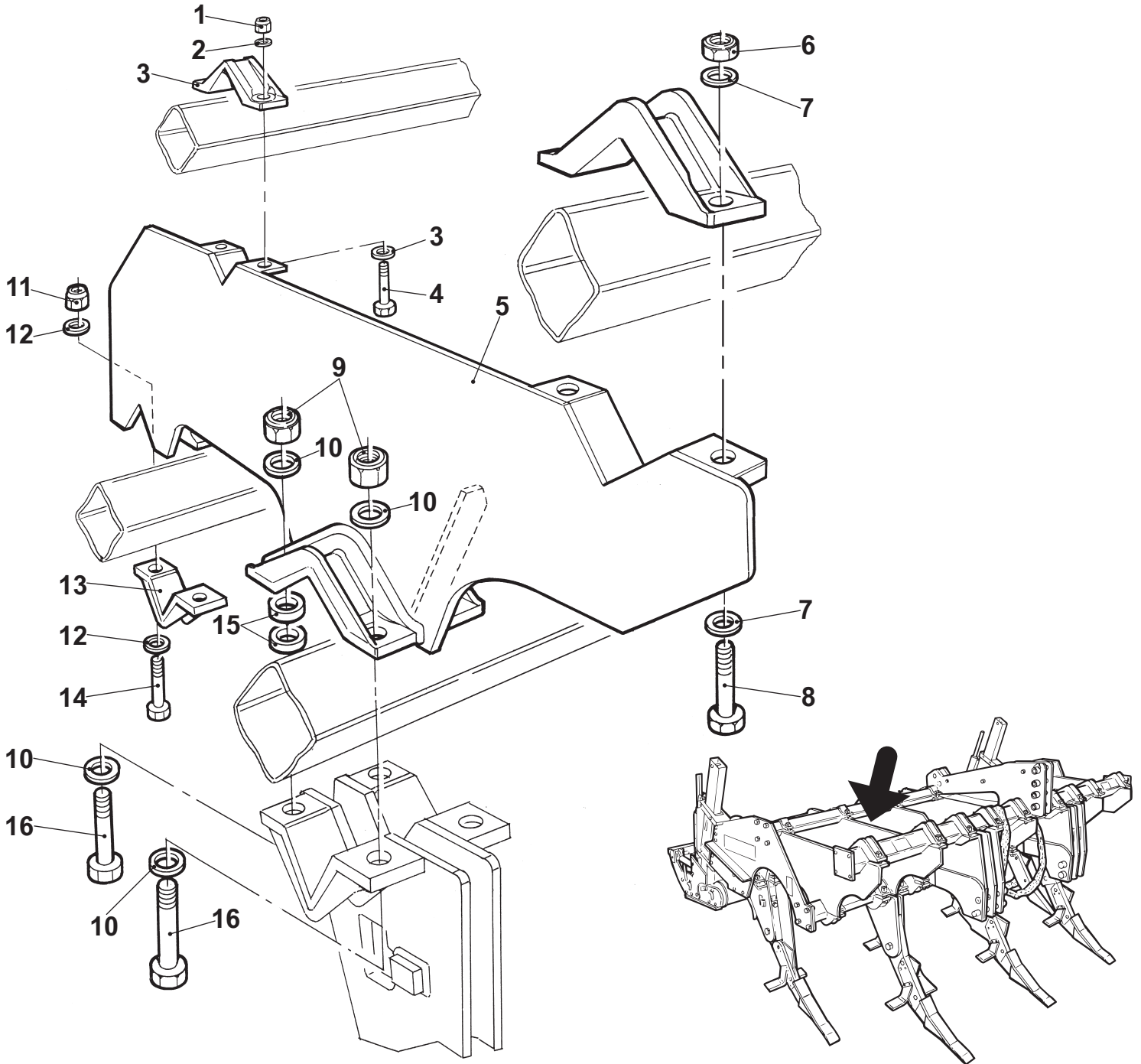
Pos.	Cod.	Benennung	Наименование	Description
1	MG2156	Klemme	Держатель	clamp
2	AUZM20	Mutter	Гайка	screw-nut
3	M20x36x4	Scheibe	Шайба	disc
4	20x090	Schraube	Болт	screw
5	TC50309	Anschlüsse (Rechts)	Правая тяга	Connections (Right)
6	AUZM24	Mutter	Гайка	screw-nut
7	M24x44x4	Scheibe	Шайба	disc
8	M24SP8	Scheibe	Шайба	disc
9	24x100	Schraube	Болт	screw
10	24x100	Schraube	Болт	screw
11	MG2156	Klemme	Держатель	clamp
12	SP3136	Splint	Шплинт	cotter



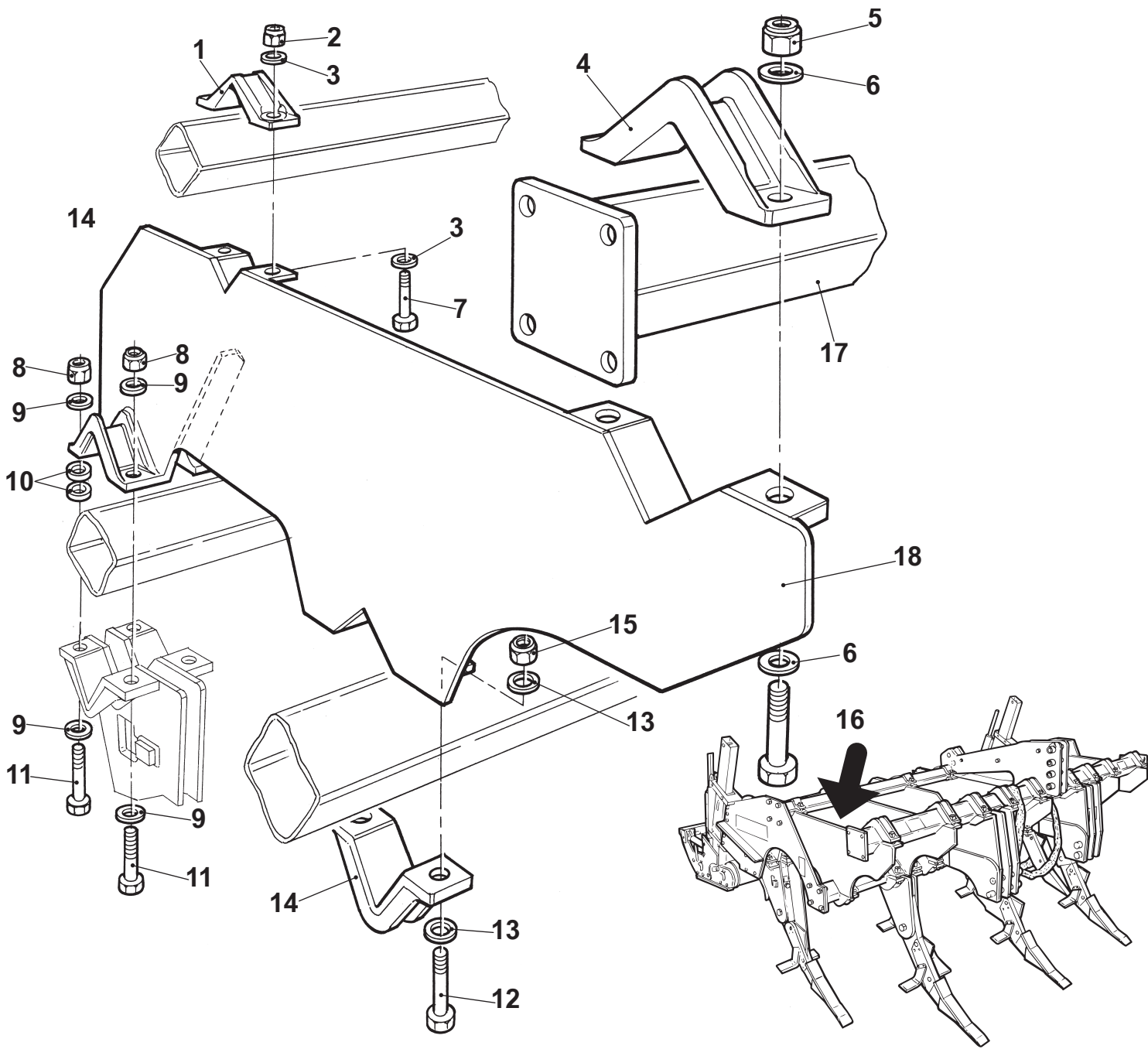
Pos.	Cod.	Benennung	Наименование	Description [Englisch]
1	MG2156	Klemme	Держатель	clamp
2	AUZM20	Mutter	Гайка	screw-nut
3	M20x36x4	Scheibe	Шайба	disc
4	20x090	Schraube	Болт	screw
5	TC503309	Anschlüsse (Links)	Левая тяга	Connections (links)
6	AUZM24	Mutter	Гайка	screw-nut
7	M24x44x4	Scheibe	Шайба	disc
8	M24SP8	Scheibe	Шайба	disc
9	24x100	Schraube	Болт	screw
10	24x100	Schraube	Болт	screw
11	MG2156	Klemme	Держатель	clamp
12	SP3136	Splint	Шплинт	clamp



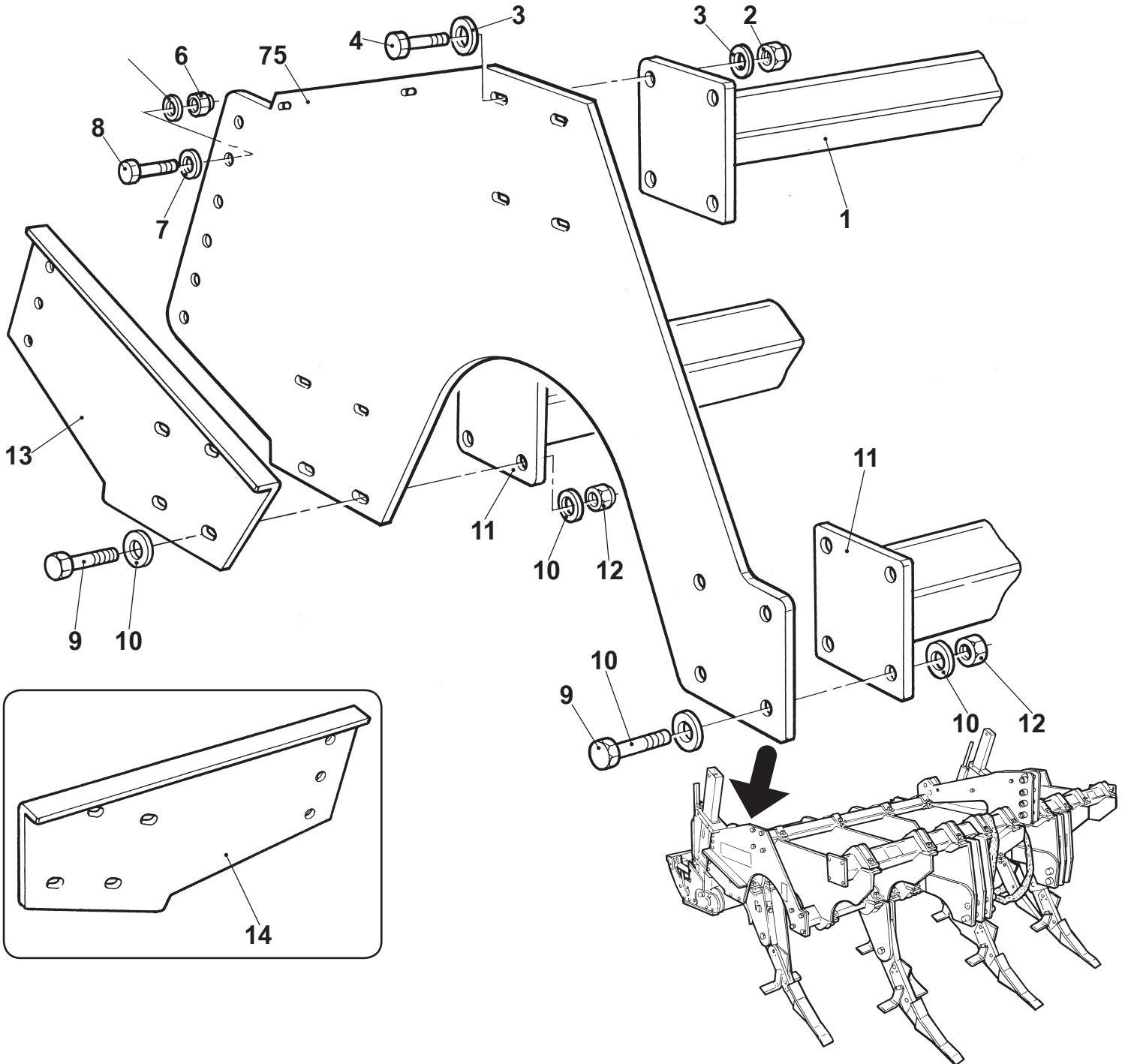
Pos.	Cod.	Benennung	Benennung [Russisch]	Description [English]
1	xxxxxxxxxxx	Mutter	xxxxxxxxxxxxxxxxxxxxxxxx	xxxxxxxxxxxxxxxxxxxxxxxx
2	xxxxxxxxxxx	Scheibe	xxxxxxxxxxxxxxxxxxxxxxxx	xxxxxxxxxxxxxxxxxxxxxxxx
3	xxxxxxxxxxx	Klemme	xxxxxxxxxxxxxxxxxxxxxxxx	xxxxxxxxxxxxxxxxxxxxxxxx
4	xxxxxxxxxxx	Schraube	xxxxxxxxxxxxxxxxxxxxxxxx	xxxxxxxxxxxxxxxxxxxxxxxx
5	xxxxxxxxxxx	Zentral Querträger (Links)	xxxxxxxxxxxxxxxxxxxxxxxx	xxxxxxxxxxxxxxxxxxxxxxxx
6	xxxxxxxxxxx	Mutter	xxxxxxxxxxxxxxxxxxxxxxxx	xxxxxxxxxxxxxxxxxxxxxxxx
7	xxxxxxxxxxx	Scheibe	xxxxxxxxxxxxxxxxxxxxxxxx	xxxxxxxxxxxxxxxxxxxxxxxx
8	xxxxxxxxxxx	Scheibe	xxxxxxxxxxxxxxxxxxxxxxxx	xxxxxxxxxxxxxxxxxxxxxxxx
9	xxxxxxxxxxx	Schraube	xxxxxxxxxxxxxxxxxxxxxxxx	xxxxxxxxxxxxxxxxxxxxxxxx
10	xxxxxxxxxxx	Schraube	xxxxxxxxxxxxxxxxxxxxxxxx	xxxxxxxxxxxxxxxxxxxxxxxx
11	xxxxxxxxxxx	Mutter	xxxxxxxxxxxxxxxxxxxxxxxx	xxxxxxxxxxxxxxxxxxxxxxxx
12	xxxxxxxxxxx	Scheibe	xxxxxxxxxxxxxxxxxxxxxxxx	xxxxxxxxxxxxxxxxxxxxxxxx
13	xxxxxxxxxxx	Klemme	xxxxxxxxxxxxxxxxxxxxxxxx	xxxxxxxxxxxxxxxxxxxxxxxx
14	xxxxxxxxxxx	Schraube	xxxxxxxxxxxxxxxxxxxxxxxx	xxxxxxxxxxxxxxxxxxxxxxxx



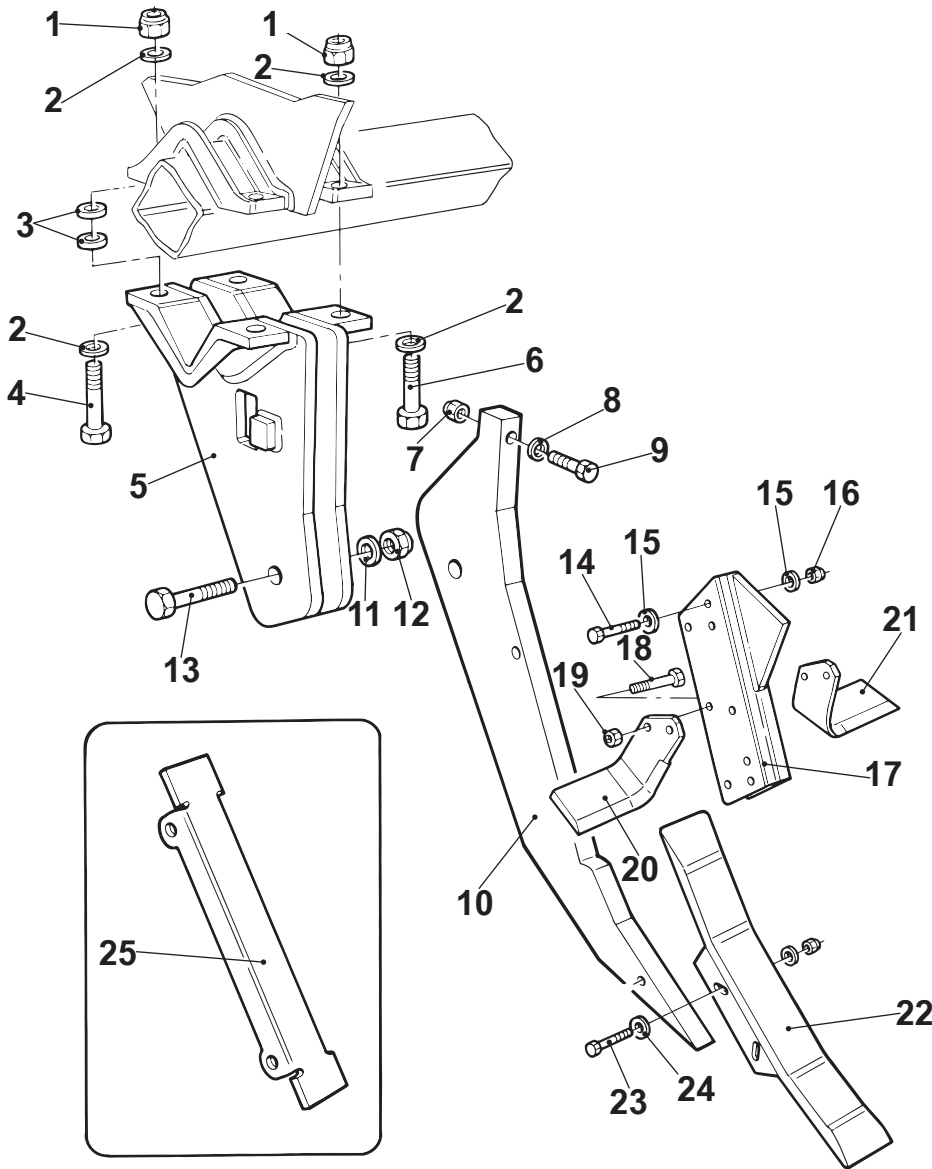
Pos.	Cod.	Benennung	Benennung [Russisch]	Description [English]
1	xxxxxxxxxxx	Mutter	xxxxxxxxxxxxxxxxxxxxxxxxxxxx	xxxxxxxxxxxxxxxxxxxxxxxxxxxx
2	xxxxxxxxxxx	Scheibe	xxxxxxxxxxxxxxxxxxxxxxxxxxxx	xxxxxxxxxxxxxxxxxxxxxxxxxxxx
3	xxxxxxxxxxx	Klemme	xxxxxxxxxxxxxxxxxxxxxxxxxxxx	xxxxxxxxxxxxxxxxxxxxxxxxxxxx
4	xxxxxxxxxxx	Schraube	xxxxxxxxxxxxxxxxxxxxxxxxxxxx	xxxxxxxxxxxxxxxxxxxxxxxxxxxx
5	xxxxxxxxxxx	Zwischen-Querträger	xxxxxxxxxxxxxxxxxxxxxxxxxxxx	xxxxxxxxxxxxxxxxxxxxxxxxxxxx
6	xxxxxxxxxxx	Mutter	xxxxxxxxxxxxxxxxxxxxxxxxxxxx	xxxxxxxxxxxxxxxxxxxxxxxxxxxx
7	xxxxxxxxxxx	Scheibe	xxxxxxxxxxxxxxxxxxxxxxxxxxxx	xxxxxxxxxxxxxxxxxxxxxxxxxxxx
8	xxxxxxxxxxx	Schraube	xxxxxxxxxxxxxxxxxxxxxxxxxxxx	xxxxxxxxxxxxxxxxxxxxxxxxxxxx
9	xxxxxxxxxxx	Mutter	xxxxxxxxxxxxxxxxxxxxxxxxxxxx	xxxxxxxxxxxxxxxxxxxxxxxxxxxx
10	xxxxxxxxxxx	Scheibe	xxxxxxxxxxxxxxxxxxxxxxxxxxxx	xxxxxxxxxxxxxxxxxxxxxxxxxxxx
11	xxxxxxxxxxx	Mutter	xxxxxxxxxxxxxxxxxxxxxxxxxxxx	xxxxxxxxxxxxxxxxxxxxxxxxxxxx
12	xxxxxxxxxxx	Scheibe	xxxxxxxxxxxxxxxxxxxxxxxxxxxx	xxxxxxxxxxxxxxxxxxxxxxxxxxxx
13	xxxxxxxxxxx	Klemme	xxxxxxxxxxxxxxxxxxxxxxxxxxxx	xxxxxxxxxxxxxxxxxxxxxxxxxxxx
14	xxxxxxxxxxx	Schraube	xxxxxxxxxxxxxxxxxxxxxxxxxxxx	xxxxxxxxxxxxxxxxxxxxxxxxxxxx
15	xxxxxxxxxxx	Scheibe	xxxxxxxxxxxxxxxxxxxxxxxxxxxx	xxxxxxxxxxxxxxxxxxxxxxxxxxxx
16	xxxxxxxxxxx	Schraube	xxxxxxxxxxxxxxxxxxxxxxxxxxxx	xxxxxxxxxxxxxxxxxxxxxxxxxxxx



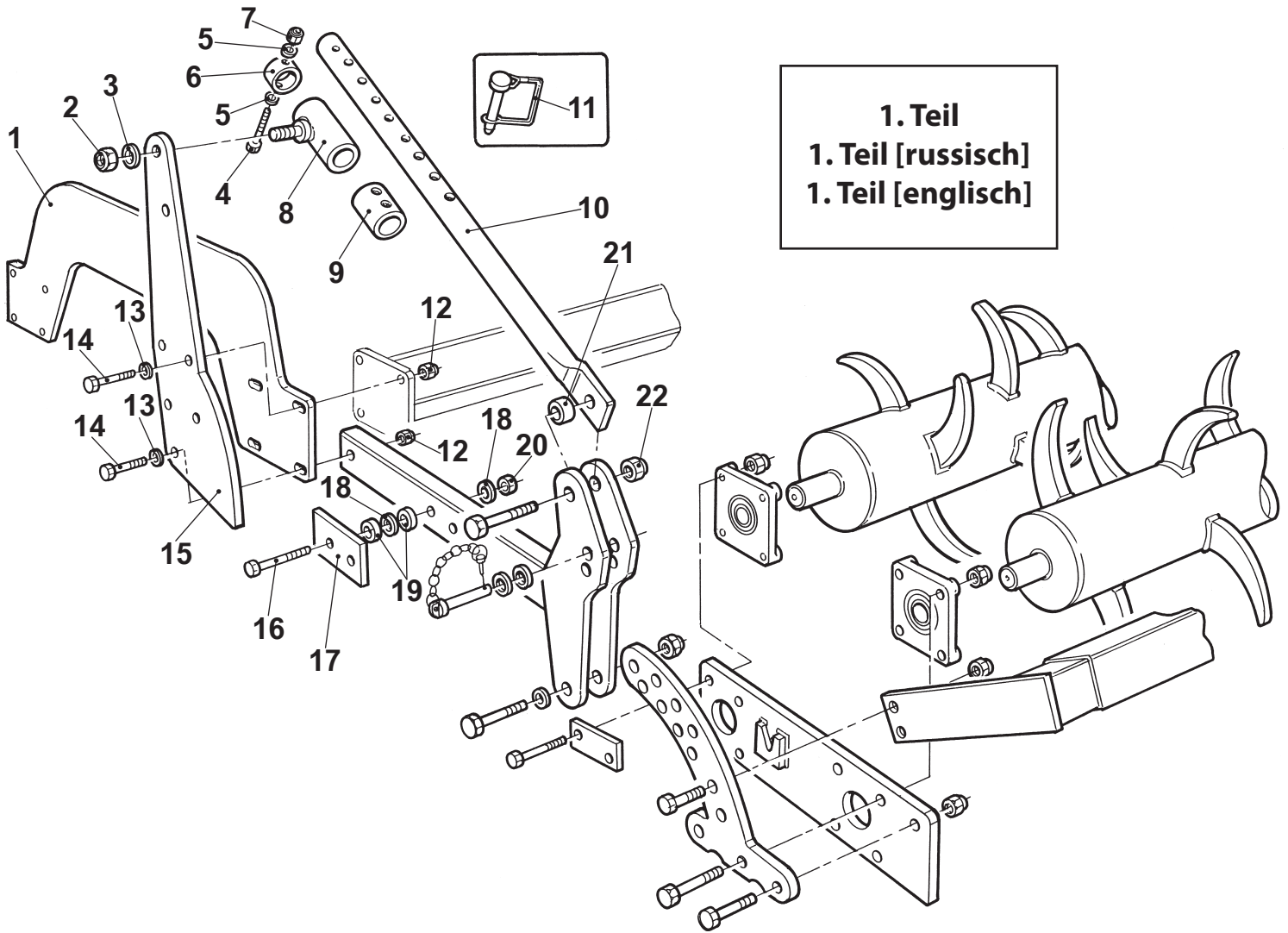
Pos.	Cod.	Benennung	Benennung [Russisch]	Description [English]
1	xxxxxxxxxxx	Klemme	xxxxxxxxxxxxxxxxxxxxxxxxxxxx	xxxxxxxxxxxxxxxxxxxxxxxxxxxx
2	xxxxxxxxxxx	Mutter	xxxxxxxxxxxxxxxxxxxxxxxxxxxx	xxxxxxxxxxxxxxxxxxxxxxxxxxxx
3	xxxxxxxxxxx	Scheibe	xxxxxxxxxxxxxxxxxxxxxxxxxxxx	xxxxxxxxxxxxxxxxxxxxxxxxxxxx
4	xxxxxxxxxxx	Klemme	xxxxxxxxxxxxxxxxxxxxxxxxxxxx	xxxxxxxxxxxxxxxxxxxxxxxxxxxx
5	xxxxxxxxxxx	Mutter	xxxxxxxxxxxxxxxxxxxxxxxxxxxx	xxxxxxxxxxxxxxxxxxxxxxxxxxxx
6	xxxxxxxxxxx	Scheibe	xxxxxxxxxxxxxxxxxxxxxxxxxxxx	xxxxxxxxxxxxxxxxxxxxxxxxxxxx
7	xxxxxxxxxxx	Schraube	xxxxxxxxxxxxxxxxxxxxxxxxxxxx	xxxxxxxxxxxxxxxxxxxxxxxxxxxx
8	xxxxxxxxxxx	Mutter	xxxxxxxxxxxxxxxxxxxxxxxxxxxx	xxxxxxxxxxxxxxxxxxxxxxxxxxxx
9	xxxxxxxxxxx	Scheibe	xxxxxxxxxxxxxxxxxxxxxxxxxxxx	xxxxxxxxxxxxxxxxxxxxxxxxxxxx
10	xxxxxxxxxxx	Scheibe	xxxxxxxxxxxxxxxxxxxxxxxxxxxx	xxxxxxxxxxxxxxxxxxxxxxxxxxxx
11	xxxxxxxxxxx	Schraube	xxxxxxxxxxxxxxxxxxxxxxxxxxxx	xxxxxxxxxxxxxxxxxxxxxxxxxxxx
12	xxxxxxxxxxx	Schraube	xxxxxxxxxxxxxxxxxxxxxxxxxxxx	xxxxxxxxxxxxxxxxxxxxxxxxxxxx
13	xxxxxxxxxxx	Scheibe	xxxxxxxxxxxxxxxxxxxxxxxxxxxx	xxxxxxxxxxxxxxxxxxxxxxxxxxxx
14	xxxxxxxxxxx	Klemme	xxxxxxxxxxxxxxxxxxxxxxxxxxxx	xxxxxxxxxxxxxxxxxxxxxxxxxxxx
15	xxxxxxxxxxx	Mutter	xxxxxxxxxxxxxxxxxxxxxxxxxxxx	xxxxxxxxxxxxxxxxxxxxxxxxxxxx
16	xxxxxxxxxxx	Schraube	xxxxxxxxxxxxxxxxxxxxxxxxxxxx	xxxxxxxxxxxxxxxxxxxxxxxxxxxx
17	xxxxxxxxxxx	Rohr □100x100	xxxxxxxxxxxxxxxxxxxxxxxxxxxx	xxxxxxxxxxxxxxxxxxxxxxxxxxxx
18	xxxxxxxxxxx	Querträger	xxxxxxxxxxxxxxxxxxxxxxxxxxxx	xxxxxxxxxxxxxxxxxxxxxxxxxxxx



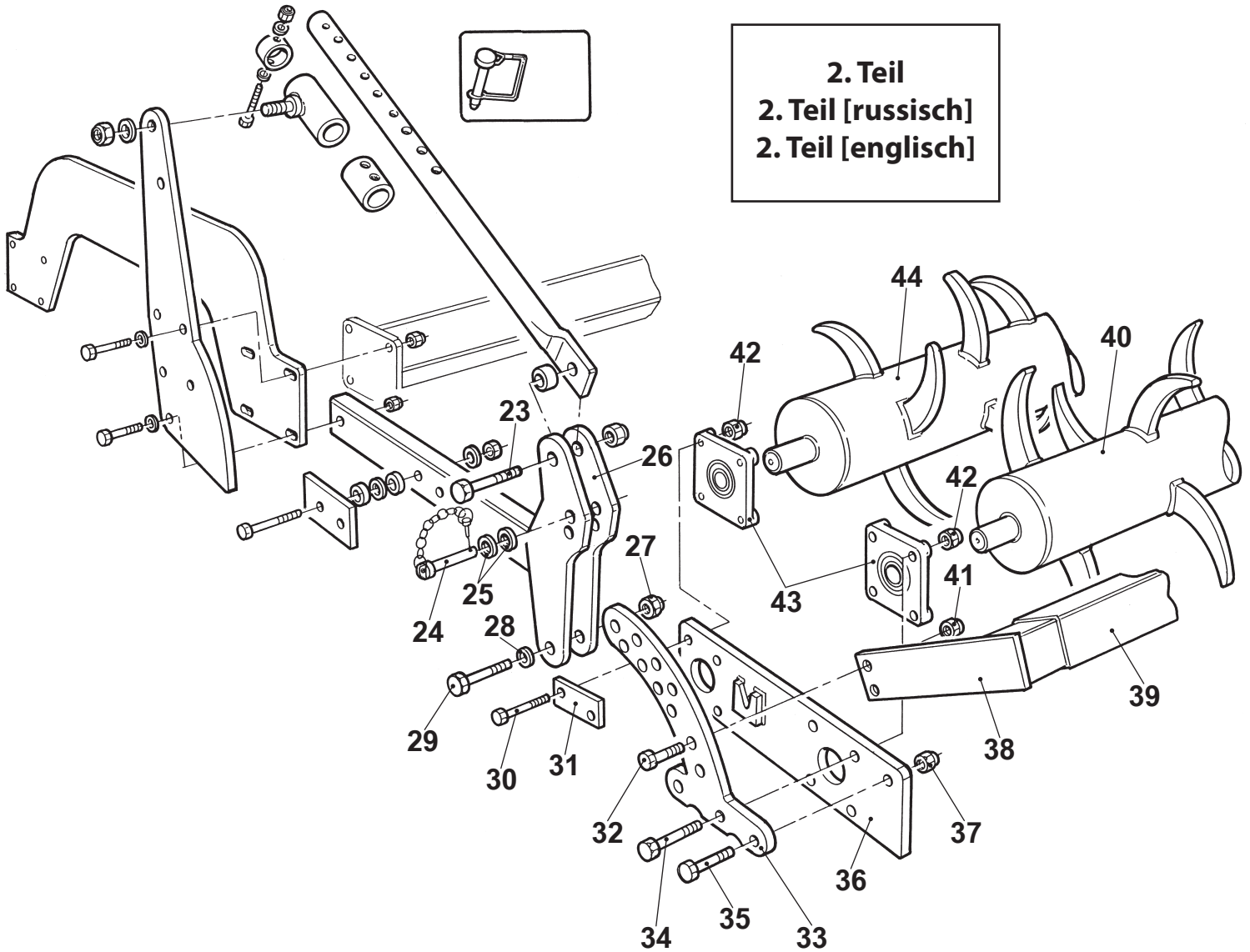
Pos.	Cod.	Benennung	Benennung [Russisch]	Description [English]
1	xxxxxxxxxxx	Oberes Rohr □70x70	xxxxxxxxxxxxxxxxxxxxxxxxxxxx	xxxxxxxxxxxxxxxxxxxxxxxxxxxx
2	xxxxxxxxxxx	Mutter	xxxxxxxxxxxxxxxxxxxxxxxxxxxx	xxxxxxxxxxxxxxxxxxxxxxxxxxxx
3	xxxxxxxxxxx	Scheibe	xxxxxxxxxxxxxxxxxxxxxxxxxxxx	xxxxxxxxxxxxxxxxxxxxxxxxxxxx
4	xxxxxxxxxxx	Schraube	xxxxxxxxxxxxxxxxxxxxxxxxxxxx	xxxxxxxxxxxxxxxxxxxxxxxxxxxx
5	xxxxxxxxxxx	Endseite	xxxxxxxxxxxxxxxxxxxxxxxxxxxx	xxxxxxxxxxxxxxxxxxxxxxxxxxxx
6	xxxxxxxxxxx	Mutter	xxxxxxxxxxxxxxxxxxxxxxxxxxxx	xxxxxxxxxxxxxxxxxxxxxxxxxxxx
7	xxxxxxxxxxx	Scheibe	xxxxxxxxxxxxxxxxxxxxxxxxxxxx	xxxxxxxxxxxxxxxxxxxxxxxxxxxx
8	xxxxxxxxxxx	Schraube	xxxxxxxxxxxxxxxxxxxxxxxxxxxx	xxxxxxxxxxxxxxxxxxxxxxxxxxxx
9	xxxxxxxxxxx	Schraube	xxxxxxxxxxxxxxxxxxxxxxxxxxxx	xxxxxxxxxxxxxxxxxxxxxxxxxxxx
10	xxxxxxxxxxx	Scheibe	xxxxxxxxxxxxxxxxxxxxxxxxxxxx	xxxxxxxxxxxxxxxxxxxxxxxxxxxx
11	xxxxxxxxxxx	Hinteres Rohr □100x100	xxxxxxxxxxxxxxxxxxxxxxxxxxxx	xxxxxxxxxxxxxxxxxxxxxxxxxxxx
12	xxxxxxxxxxx	Mutter	xxxxxxxxxxxxxxxxxxxxxxxxxxxx	xxxxxxxxxxxxxxxxxxxxxxxxxxxx
13	xxxxxxxxxxx	Verstärkung (Rechts)	xxxxxxxxxxxxxxxxxxxxxxxxxxxx	xxxxxxxxxxxxxxxxxxxxxxxxxxxx
14	xxxxxxxxxxx	Verstärkung (Links)	xxxxxxxxxxxxxxxxxxxxxxxxxxxx	xxxxxxxxxxxxxxxxxxxxxxxxxxxx



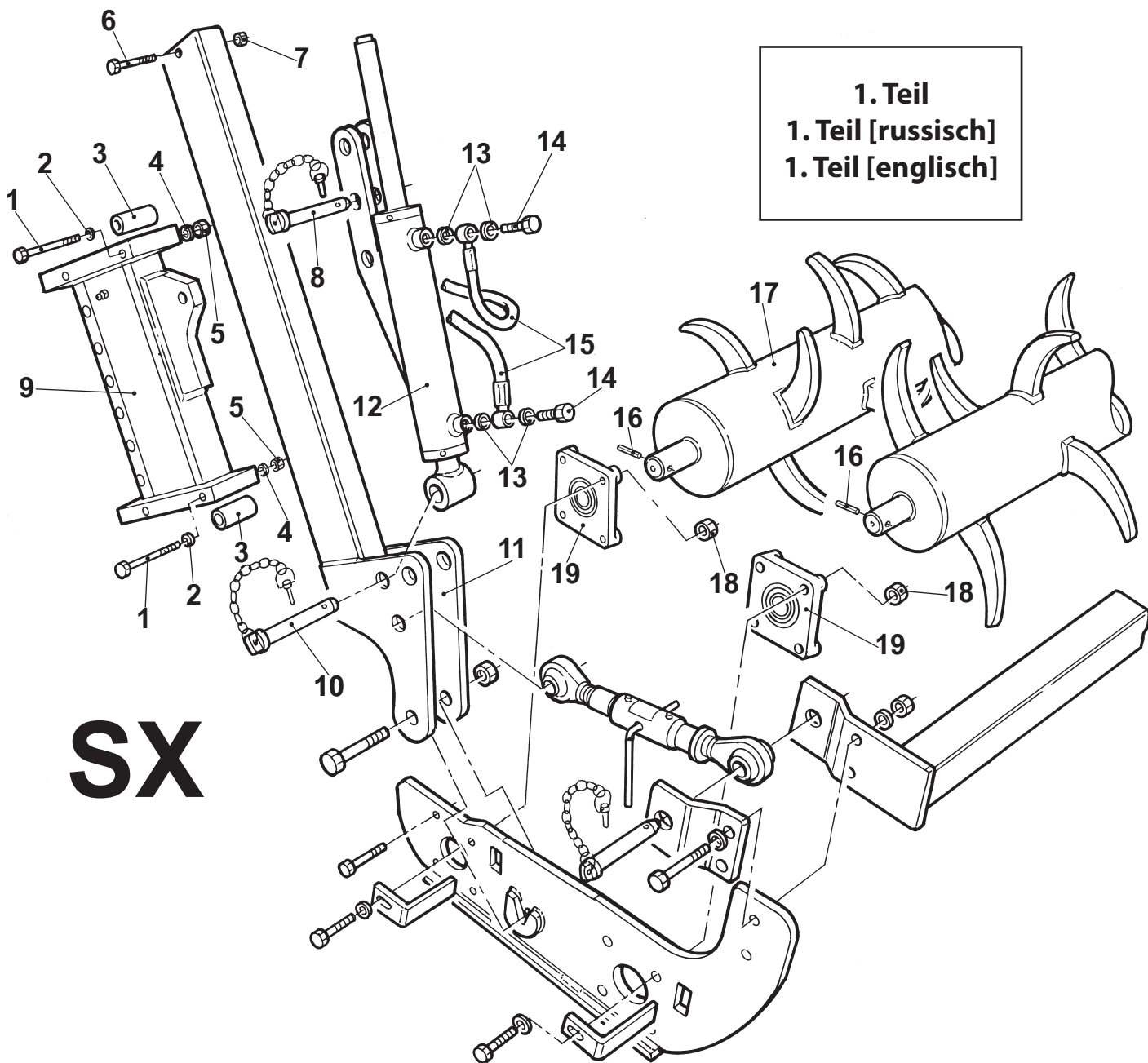
Pos.	Cod.	Benennung	Benennung [Russisch]	Description [English]
1	xxxxxxxxxxxx	Mutter	xxxxxxxxxxxxxxxxxxxxxxxxxxxx	xxxxxxxxxxxxxxxxxxxxxxxxxxxx
2	xxxxxxxxxxxx	Scheibe	xxxxxxxxxxxxxxxxxxxxxxxxxxxx	xxxxxxxxxxxxxxxxxxxxxxxxxxxx
3	xxxxxxxxxxxx	Scheibe	xxxxxxxxxxxxxxxxxxxxxxxxxxxx	xxxxxxxxxxxxxxxxxxxxxxxxxxxx
4	xxxxxxxxxxxx	Schraube	xxxxxxxxxxxxxxxxxxxxxxxxxxxx	xxxxxxxxxxxxxxxxxxxxxxxxxxxx
5	xxxxxxxxxxxx	Anker	xxxxxxxxxxxxxxxxxxxxxxxxxxxx	xxxxxxxxxxxxxxxxxxxxxxxxxxxx
6	xxxxxxxxxxxx	Schraube	xxxxxxxxxxxxxxxxxxxxxxxxxxxx	xxxxxxxxxxxxxxxxxxxxxxxxxxxx
7	xxxxxxxxxxxx	Mutter	xxxxxxxxxxxxxxxxxxxxxxxxxxxx	xxxxxxxxxxxxxxxxxxxxxxxxxxxx
8	xxxxxxxxxxxx	Scheibe	xxxxxxxxxxxxxxxxxxxxxxxxxxxx	xxxxxxxxxxxxxxxxxxxxxxxxxxxx
9	xxxxxxxxxxxx	Schraube	xxxxxxxxxxxxxxxxxxxxxxxxxxxx	xxxxxxxxxxxxxxxxxxxxxxxxxxxx
10	xxxxxxxxxxxx	Anker	xxxxxxxxxxxxxxxxxxxxxxxxxxxx	xxxxxxxxxxxxxxxxxxxxxxxxxxxx
11	xxxxxxxxxxxx	Scheibe	xxxxxxxxxxxxxxxxxxxxxxxxxxxx	xxxxxxxxxxxxxxxxxxxxxxxxxxxx
12	xxxxxxxxxxxx	Mutter	xxxxxxxxxxxxxxxxxxxxxxxxxxxx	xxxxxxxxxxxxxxxxxxxxxxxxxxxx
13	xxxxxxxxxxxx	Schraube	xxxxxxxxxxxxxxxxxxxxxxxxxxxx	xxxxxxxxxxxxxxxxxxxxxxxxxxxx
14	xxxxxxxxxxxx	Schraube	xxxxxxxxxxxxxxxxxxxxxxxxxxxx	xxxxxxxxxxxxxxxxxxxxxxxxxxxx
15	xxxxxxxxxxxx	Scheibe	xxxxxxxxxxxxxxxxxxxxxxxxxxxx	xxxxxxxxxxxxxxxxxxxxxxxxxxxx
16	xxxxxxxxxxxx	Mutter	xxxxxxxxxxxxxxxxxxxxxxxxxxxx	xxxxxxxxxxxxxxxxxxxxxxxxxxxx
17	xxxxxxxxxxxx	Zerkleinerungsvorrichtung	xxxxxxxxxxxxxxxxxxxxxxxxxxxx	xxxxxxxxxxxxxxxxxxxxxxxxxxxx
18	xxxxxxxxxxxx	Schraube	xxxxxxxxxxxxxxxxxxxxxxxxxxxx	xxxxxxxxxxxxxxxxxxxxxxxxxxxx
19	xxxxxxxxxxxx	Mutter	xxxxxxxxxxxxxxxxxxxxxxxxxxxx	xxxxxxxxxxxxxxxxxxxxxxxxxxxx
20	xxxxxxxxxxxx	Hacke (Rechts)	xxxxxxxxxxxxxxxxxxxxxxxxxxxx	xxxxxxxxxxxxxxxxxxxxxxxxxxxx
21	xxxxxxxxxxxx	Hacke (Links)	xxxxxxxxxxxxxxxxxxxxxxxxxxxx	xxxxxxxxxxxxxxxxxxxxxxxxxxxx
22	xxxxxxxxxxxx	Schar	xxxxxxxxxxxxxxxxxxxxxxxxxxxx	xxxxxxxxxxxxxxxxxxxxxxxxxxxx
23	xxxxxxxxxxxx	Schraube	xxxxxxxxxxxxxxxxxxxxxxxxxxxx	xxxxxxxxxxxxxxxxxxxxxxxxxxxx
24	xxxxxxxxxxxx	Scheibe	xxxxxxxxxxxxxxxxxxxxxxxxxxxx	xxxxxxxxxxxxxxxxxxxxxxxxxxxx
25	xxxxxxxxxxxx	Schutzanker	xxxxxxxxxxxxxxxxxxxxxxxxxxxx	xxxxxxxxxxxxxxxxxxxxxxxxxxxx



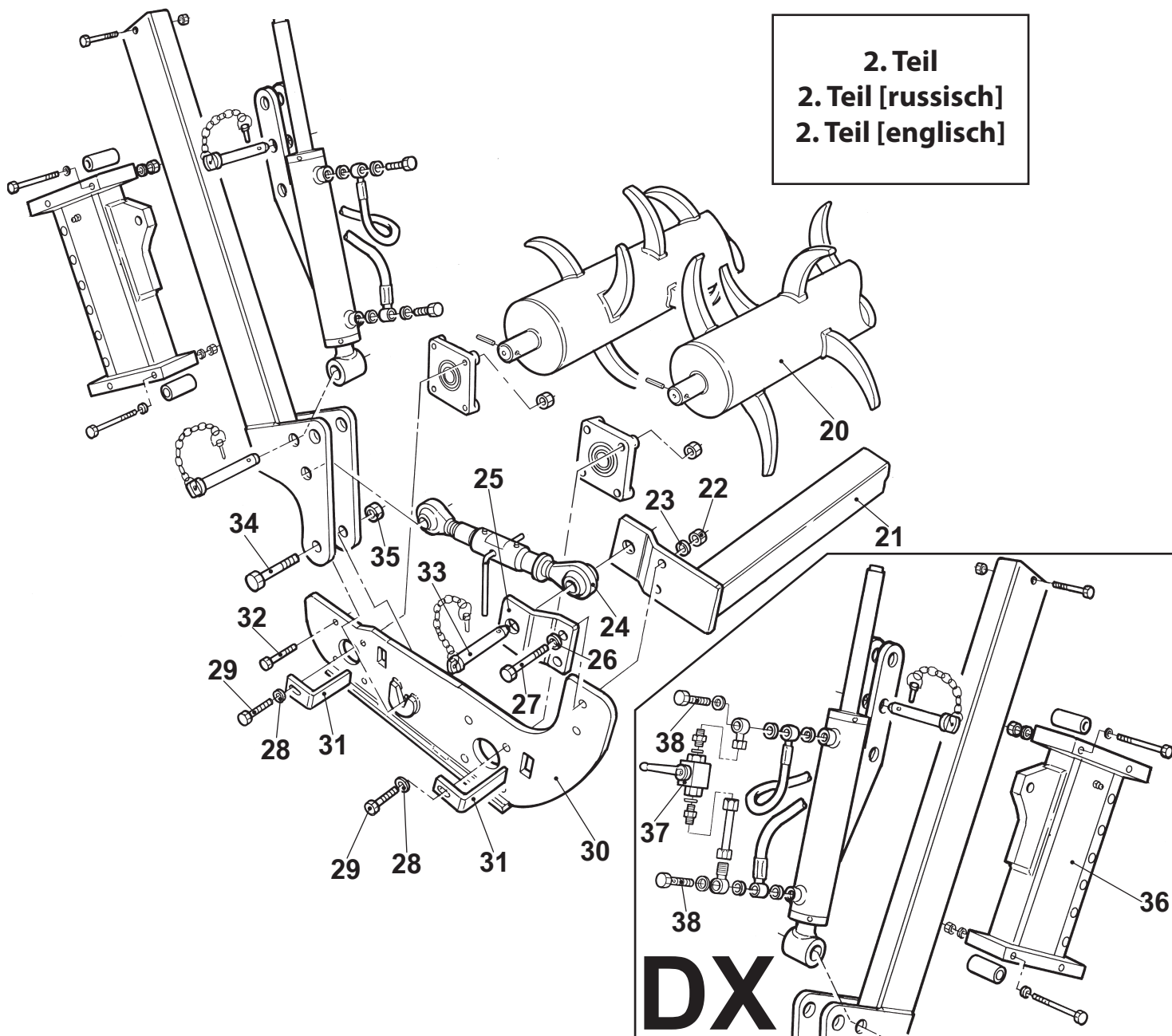
Pos.	Cod.	Benennung	Benennung [Russisch]	Description [English]
1	xxxxxxxxxxxx	Endseite	xxxxxxxxxxxxxxxxxxxxxxxxxxxx	xxxxxxxxxxxxxxxxxxxxxxxxxxxx
2	xxxxxxxxxxxx	Mutter	xxxxxxxxxxxxxxxxxxxxxxxxxxxx	xxxxxxxxxxxxxxxxxxxxxxxxxxxx
3	xxxxxxxxxxxx	Schreibe	xxxxxxxxxxxxxxxxxxxxxxxxxxxx	xxxxxxxxxxxxxxxxxxxxxxxxxxxx
4	xxxxxxxxxxxx	Schraube	xxxxxxxxxxxxxxxxxxxxxxxxxxxx	xxxxxxxxxxxxxxxxxxxxxxxxxxxx
5	xxxxxxxxxxxx	Scheibe	xxxxxxxxxxxxxxxxxxxxxxxxxxxx	xxxxxxxxxxxxxxxxxxxxxxxxxxxx
6	xxxxxxxxxxxx	Ring	xxxxxxxxxxxxxxxxxxxxxxxxxxxx	xxxxxxxxxxxxxxxxxxxxxxxxxxxx
7	xxxxxxxxxxxx	Mutter	xxxxxxxxxxxxxxxxxxxxxxxxxxxx	xxxxxxxxxxxxxxxxxxxxxxxxxxxx
8	xxxxxxxxxxxx	Rohr Leiterbüchse	xxxxxxxxxxxxxxxxxxxxxxxxxxxx	xxxxxxxxxxxxxxxxxxxxxxxxxxxx
9	xxxxxxxxxxxx	Buchse	xxxxxxxxxxxxxxxxxxxxxxxxxxxx	xxxxxxxxxxxxxxxxxxxxxxxxxxxx
10	xxxxxxxxxxxx	Löcherrohr	xxxxxxxxxxxxxxxxxxxxxxxxxxxx	xxxxxxxxxxxxxxxxxxxxxxxxxxxx
11	xxxxxxxxxxxx	Splint	xxxxxxxxxxxxxxxxxxxxxxxxxxxx	xxxxxxxxxxxxxxxxxxxxxxxxxxxx
12	xxxxxxxxxxxx	Mutter	xxxxxxxxxxxxxxxxxxxxxxxxxxxx	xxxxxxxxxxxxxxxxxxxxxxxxxxxx
13	xxxxxxxxxxxx	Scheibe	xxxxxxxxxxxxxxxxxxxxxxxxxxxx	xxxxxxxxxxxxxxxxxxxxxxxxxxxx
14	xxxxxxxxxxxx	Schraube	xxxxxxxxxxxxxxxxxxxxxxxxxxxx	xxxxxxxxxxxxxxxxxxxxxxxxxxxx
15	xxxxxxxxxxxx	Bügel	xxxxxxxxxxxxxxxxxxxxxxxxxxxx	xxxxxxxxxxxxxxxxxxxxxxxxxxxx
16	xxxxxxxxxxxx	Schraube	xxxxxxxxxxxxxxxxxxxxxxxxxxxx	xxxxxxxxxxxxxxxxxxxxxxxxxxxx
17	xxxxxxxxxxxx	Platte	xxxxxxxxxxxxxxxxxxxxxxxxxxxx	xxxxxxxxxxxxxxxxxxxxxxxxxxxx
18	xxxxxxxxxxxx	Scheibe	xxxxxxxxxxxxxxxxxxxxxxxxxxxx	xxxxxxxxxxxxxxxxxxxxxxxxxxxx
19	xxxxxxxxxxxx	Scheibe	xxxxxxxxxxxxxxxxxxxxxxxxxxxx	xxxxxxxxxxxxxxxxxxxxxxxxxxxx
20	xxxxxxxxxxxx	Mutter	xxxxxxxxxxxxxxxxxxxxxxxxxxxx	xxxxxxxxxxxxxxxxxxxxxxxxxxxx
21	xxxxxxxxxxxx	Buchse	xxxxxxxxxxxxxxxxxxxxxxxxxxxx	xxxxxxxxxxxxxxxxxxxxxxxxxxxx
22	xxxxxxxxxxxx	Mutter	xxxxxxxxxxxxxxxxxxxxxxxxxxxx	xxxxxxxxxxxxxxxxxxxxxxxxxxxx



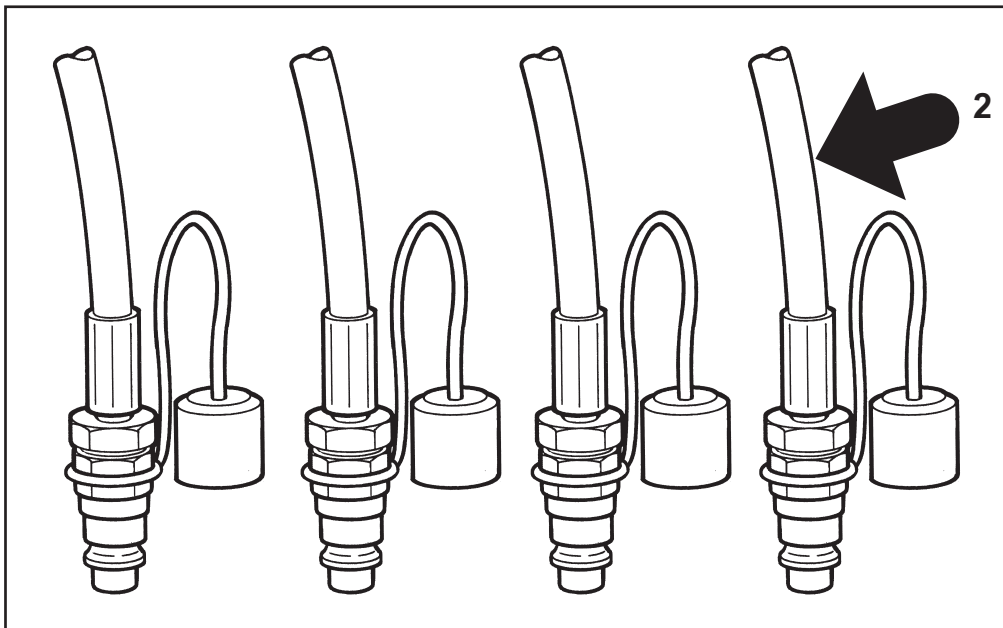
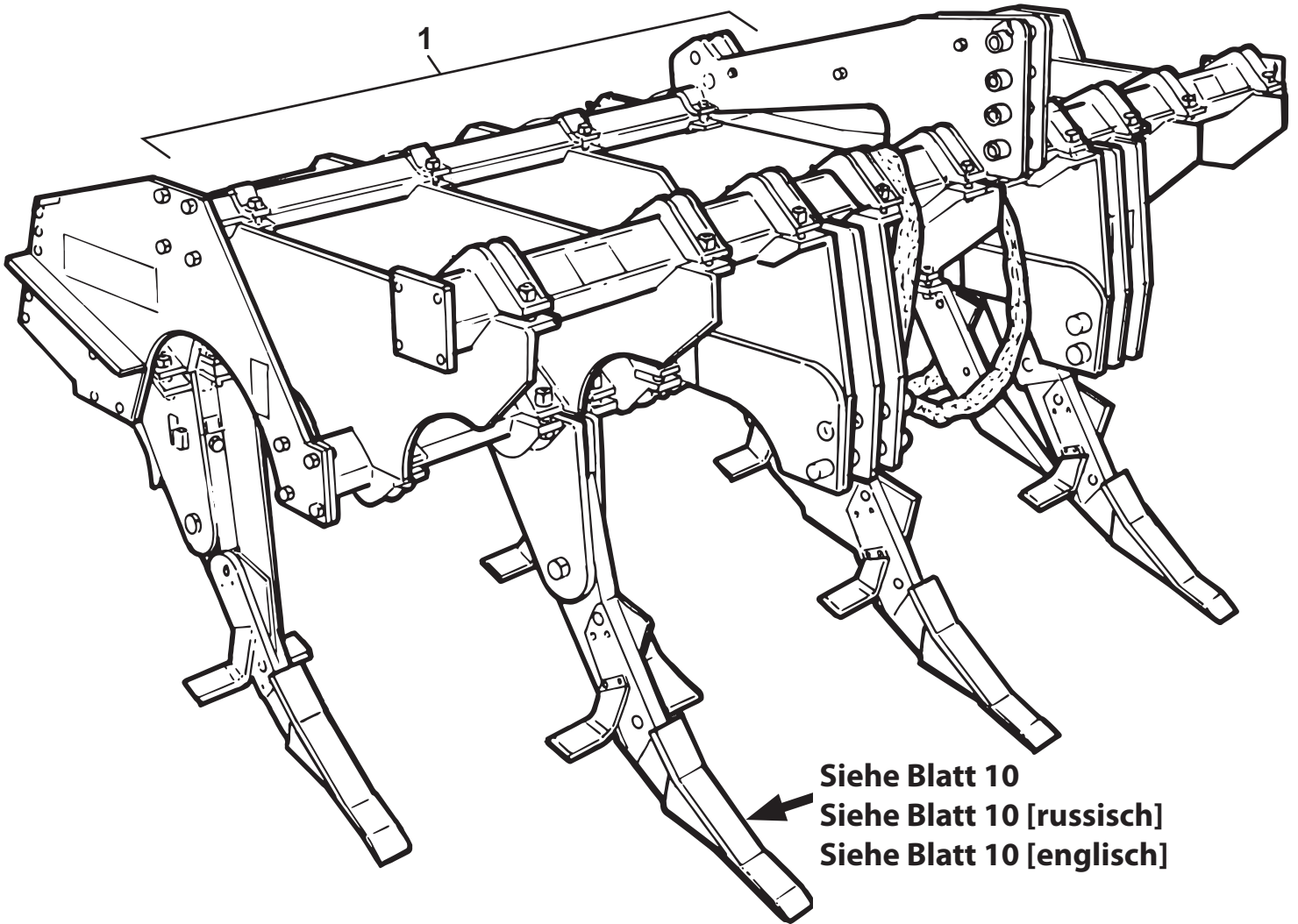
Pos.	Cod.	Benennung	Benennung [Russisch]	Description [Englisch]
23	xxxxxxxxxxx	Schraube	xxxxxxxxxxxxxxxxxxxxxxxxxxxx	xxxxxxxxxxxxxxxxxxxxxxxxxxxx
24	xxxxxxxxxxx	Splint	xxxxxxxxxxxxxxxxxxxxxxxxxxxx	xxxxxxxxxxxxxxxxxxxxxxxxxxxx
25	xxxxxxxxxxx	Scheibe	xxxxxxxxxxxxxxxxxxxxxxxxxxxx	xxxxxxxxxxxxxxxxxxxxxxxxxxxx
26	xxxxxxxxxxx	Bracket	xxxxxxxxxxxxxxxxxxxxxxxxxxxx	xxxxxxxxxxxxxxxxxxxxxxxxxxxx
27	xxxxxxxxxxx	Mutter	xxxxxxxxxxxxxxxxxxxxxxxxxxxx	xxxxxxxxxxxxxxxxxxxxxxxxxxxx
28	xxxxxxxxxxx	Scheibe	xxxxxxxxxxxxxxxxxxxxxxxxxxxx	xxxxxxxxxxxxxxxxxxxxxxxxxxxx
29	xxxxxxxxxxx	Schraube	xxxxxxxxxxxxxxxxxxxxxxxxxxxx	xxxxxxxxxxxxxxxxxxxxxxxxxxxx
30	xxxxxxxxxxx	Schraube	xxxxxxxxxxxxxxxxxxxxxxxxxxxx	xxxxxxxxxxxxxxxxxxxxxxxxxxxx
31	xxxxxxxxxxx	Platte	xxxxxxxxxxxxxxxxxxxxxxxxxxxx	xxxxxxxxxxxxxxxxxxxxxxxxxxxx
32	xxxxxxxxxxx	Schraube	xxxxxxxxxxxxxxxxxxxxxxxxxxxx	xxxxxxxxxxxxxxxxxxxxxxxxxxxx
33	xxxxxxxxxxx	Bügel	xxxxxxxxxxxxxxxxxxxxxxxxxxxx	xxxxxxxxxxxxxxxxxxxxxxxxxxxx
34	xxxxxxxxxxx	Schraube	xxxxxxxxxxxxxxxxxxxxxxxxxxxx	xxxxxxxxxxxxxxxxxxxxxxxxxxxx
35	xxxxxxxxxxx	Schraube	xxxxxxxxxxxxxxxxxxxxxxxxxxxx	xxxxxxxxxxxxxxxxxxxxxxxxxxxx
36	xxxxxxxxxxx	Bügel	xxxxxxxxxxxxxxxxxxxxxxxxxxxx	xxxxxxxxxxxxxxxxxxxxxxxxxxxx
37	xxxxxxxxxxx	Mutter	xxxxxxxxxxxxxxxxxxxxxxxxxxxx	xxxxxxxxxxxxxxxxxxxxxxxxxxxx
38	xxxxxxxxxxx	Bügel	xxxxxxxxxxxxxxxxxxxxxxxxxxxx	xxxxxxxxxxxxxxxxxxxxxxxxxxxx
39	xxxxxxxxxxx	Walzenschutz	xxxxxxxxxxxxxxxxxxxxxxxxxxxx	xxxxxxxxxxxxxxxxxxxxxxxxxxxx
40	xxxxxxxxxxx	Walze Hinten	xxxxxxxxxxxxxxxxxxxxxxxxxxxx	xxxxxxxxxxxxxxxxxxxxxxxxxxxx
41	xxxxxxxxxxx	Mutter	xxxxxxxxxxxxxxxxxxxxxxxxxxxx	xxxxxxxxxxxxxxxxxxxxxxxxxxxx
42	xxxxxxxxxxx	Mutter	xxxxxxxxxxxxxxxxxxxxxxxxxxxx	xxxxxxxxxxxxxxxxxxxxxxxxxxxx
43	xxxxxxxxxxx	Lagerhalterung	xxxxxxxxxxxxxxxxxxxxxxxxxxxx	xxxxxxxxxxxxxxxxxxxxxxxxxxxx
44	xxxxxxxxxxx	Walze Vorn	xxxxxxxxxxxxxxxxxxxxxxxxxxxx	xxxxxxxxxxxxxxxxxxxxxxxxxxxx



Pos.	Cod.	Benennung	Benennung [Russisch]	Description [Englisch]
1	xxxxxxxxxxx	Schraube	xxxxxxxxxxxxxxxxxxxxxxxxxxxx	xxxxxxxxxxxxxxxxxxxxxxxxxxxx
2	xxxxxxxxxxx	Scheibe	xxxxxxxxxxxxxxxxxxxxxxxxxxxx	xxxxxxxxxxxxxxxxxxxxxxxxxxxx
3	xxxxxxxxxxx	Walzen	xxxxxxxxxxxxxxxxxxxxxxxxxxxx	xxxxxxxxxxxxxxxxxxxxxxxxxxxx
4	xxxxxxxxxxx	Scheibe	xxxxxxxxxxxxxxxxxxxxxxxxxxxx	xxxxxxxxxxxxxxxxxxxxxxxxxxxx
5	xxxxxxxxxxx	Mutter	xxxxxxxxxxxxxxxxxxxxxxxxxxxx	xxxxxxxxxxxxxxxxxxxxxxxxxxxx
6	xxxxxxxxxxx	Schraube	xxxxxxxxxxxxxxxxxxxxxxxxxxxx	xxxxxxxxxxxxxxxxxxxxxxxxxxxx
7	xxxxxxxxxxx	Mutter	xxxxxxxxxxxxxxxxxxxxxxxxxxxx	xxxxxxxxxxxxxxxxxxxxxxxxxxxx
8	xxxxxxxxxxx	Splint	xxxxxxxxxxxxxxxxxxxxxxxxxxxx	xxxxxxxxxxxxxxxxxxxxxxxxxxxx
9	xxxxxxxxxxx	Rohr (Links)	xxxxxxxxxxxxxxxxxxxxxxxxxxxx	xxxxxxxxxxxxxxxxxxxxxxxxxxxx
10	xxxxxxxxxxx	Splint	xxxxxxxxxxxxxxxxxxxxxxxxxxxx	xxxxxxxxxxxxxxxxxxxxxxxxxxxx
11	xxxxxxxxxxx	Gleitarm	xxxxxxxxxxxxxxxxxxxxxxxxxxxx	xxxxxxxxxxxxxxxxxxxxxxxxxxxx
12	xxxxxxxxxxx	Hydraulischer Zylinder (Links)	xxxxxxxxxxxxxxxxxxxxxxxxxxxx	xxxxxxxxxxxxxxxxxxxxxxxxxxxx
13	xxxxxxxxxxx	Scheibe	xxxxxxxxxxxxxxxxxxxxxxxxxxxx	xxxxxxxxxxxxxxxxxxxxxxxxxxxx
14	xxxxxxxxxxx	Löckerschraube 3/8"	xxxxxxxxxxxxxxxxxxxxxxxxxxxx	xxxxxxxxxxxxxxxxxxxxxxxxxxxx
15	xxxxxxxxxxx	Hydraulikleitung	xxxxxxxxxxxxxxxxxxxxxxxxxxxx	xxxxxxxxxxxxxxxxxxxxxxxxxxxx
16	xxxxxxxxxxx	Splint	xxxxxxxxxxxxxxxxxxxxxxxxxxxx	xxxxxxxxxxxxxxxxxxxxxxxxxxxx
17	xxxxxxxxxxx	Walze Vorne	xxxxxxxxxxxxxxxxxxxxxxxxxxxx	xxxxxxxxxxxxxxxxxxxxxxxxxxxx
18	xxxxxxxxxxx	Mutter	xxxxxxxxxxxxxxxxxxxxxxxxxxxx	xxxxxxxxxxxxxxxxxxxxxxxxxxxx
19	xxxxxxxxxxx	Lagerhalterung	xxxxxxxxxxxxxxxxxxxxxxxxxxxx	xxxxxxxxxxxxxxxxxxxxxxxxxxxx



Pos.	Cod.	Benennung	Benennung [Russisch]	Description [Englisch]
20	xxxxxxxxxxx	Hintere Walze	xxxxxxxxxxxxxxxxxxxxxxxxxxxx	xxxxxxxxxxxxxxxxxxxxxxxxxxxx
21	xxxxxxxxxxx	Schutzwalzen	xxxxxxxxxxxxxxxxxxxxxxxxxxxx	xxxxxxxxxxxxxxxxxxxxxxxxxxxx
22	xxxxxxxxxxx	Mutter	xxxxxxxxxxxxxxxxxxxxxxxxxxxx	xxxxxxxxxxxxxxxxxxxxxxxxxxxx
23	xxxxxxxxxxx	Scheibe	xxxxxxxxxxxxxxxxxxxxxxxxxxxx	xxxxxxxxxxxxxxxxxxxxxxxxxxxx
24	xxxxxxxxxxx	Regler für Neigung Rollen	xxxxxxxxxxxxxxxxxxxxxxxxxxxx	xxxxxxxxxxxxxxxxxxxxxxxxxxxx
25	xxxxxxxxxxx	Bracket	xxxxxxxxxxxxxxxxxxxxxxxxxxxx	xxxxxxxxxxxxxxxxxxxxxxxxxxxx
26	xxxxxxxxxxx	Scheibe	xxxxxxxxxxxxxxxxxxxxxxxxxxxx	xxxxxxxxxxxxxxxxxxxxxxxxxxxx
27	xxxxxxxxxxx	Schraube	xxxxxxxxxxxxxxxxxxxxxxxxxxxx	xxxxxxxxxxxxxxxxxxxxxxxxxxxx
28	xxxxxxxxxxx	Scheibe	xxxxxxxxxxxxxxxxxxxxxxxxxxxx	xxxxxxxxxxxxxxxxxxxxxxxxxxxx
29	xxxxxxxxxxx	Schraube	xxxxxxxxxxxxxxxxxxxxxxxxxxxx	xxxxxxxxxxxxxxxxxxxxxxxxxxxx
30	xxxxxxxxxxx	Walzenhalterung Seite	xxxxxxxxxxxxxxxxxxxxxxxxxxxx	xxxxxxxxxxxxxxxxxxxxxxxxxxxx
31	xxxxxxxxxxx	Kratzer	xxxxxxxxxxxxxxxxxxxxxxxxxxxx	xxxxxxxxxxxxxxxxxxxxxxxxxxxx
32	xxxxxxxxxxx	Schraube	xxxxxxxxxxxxxxxxxxxxxxxxxxxx	xxxxxxxxxxxxxxxxxxxxxxxxxxxx
33	xxxxxxxxxxx	Splint	xxxxxxxxxxxxxxxxxxxxxxxxxxxx	xxxxxxxxxxxxxxxxxxxxxxxxxxxx
34	xxxxxxxxxxx	Schraube	xxxxxxxxxxxxxxxxxxxxxxxxxxxx	xxxxxxxxxxxxxxxxxxxxxxxxxxxx
35	xxxxxxxxxxx	Mutter	xxxxxxxxxxxxxxxxxxxxxxxxxxxx	xxxxxxxxxxxxxxxxxxxxxxxxxxxx
36	xxxxxxxxxxx	Rohr (Rechts)	xxxxxxxxxxxxxxxxxxxxxxxxxxxx	xxxxxxxxxxxxxxxxxxxxxxxxxxxx
37	xxxxxxxxxxx	Hochdruck Absperrhahn	xxxxxxxxxxxxxxxxxxxxxxxxxxxx	xxxxxxxxxxxxxxxxxxxxxxxxxxxx
38	xxxxxxxxxxx	Löckerschraube 3/8"	xxxxxxxxxxxxxxxxxxxxxxxxxxxx	xxxxxxxxxxxxxxxxxxxxxxxxxxxx



Pos.	Cod.	Benennung	Benennung [Russisch]	Description [English]
1	xxxxxxxxxxx	Rahmen	xxxxxxxxxxxxxxxxxxxxxxxxxxxx	xxxxxxxxxxxxxxxxxxxxxxxxxxxx
2	xxxxxxxxxxx	Schneller Einsatz	xxxxxxxxxxxxxxxxxxxxxxxxxxxx	xxxxxxxxxxxxxxxxxxxxxxxxxxxx